

nobis
YOUR STOVE, OUR PASSION

EN - Installation, use and maintenance manual

B10 V ULISSE
B10 C ULISSE



Dear Customer. Thank you for choosing a product from our range.

You are invited to read this manual carefully before using the product, so as to take full advantage of all its features in complete safety.

This manual contains information necessary for correct installation, start-up, use, cleaning and maintenance of the product.

Please keep the manual in a suitable place after consulting it carefully.

Improper installation, incorrect maintenance and/or misuse of the product relieve the Manufacturer of any liability towards people or property.

All rights reserved. No part of this instruction manual may be reproduced or transmitted by any electronic or mechanical means, including photocopying, recording or any other storage system, for no purposes other than the purchaser's personal use only, without express permission of the Manufacturer.

INDICE DEL MANUALE

Introduction	4	8 Menu browsing	18
1.1 Symbols	4	9 First start-up instructions	18
1.2 Intended use	4	9.1 Hour-date settings	18
1.3 Improper use	4	9.2 Calibration of remote control probe	18
1.4 Importance of the manual	4	9.3 User/auto management	19
1.5 General safety warnings	4	9.4 Room-temperature settings	19
1.6 Legal warranty	5	9.5 Fireplace power settings	19
1.7 Exclusions from the warranty	5	9.6 Switching on the product	19
1.8 Spare parts	6	10 Operation	20
1.9 Identification plate	6	10.1 Saving mode	20
1.10 Disposal of the product	6	10.2 Air-conditioning comfort function	20
1.11 Hermetic product	6	10.3 Powerful function	21
2 Characteristics of the pellet	6	10.4 Ventilation management	22
3 Installation	7	11 Description of the menu functions	22
3.1 Air intake	7	11.1 Thermostat with timer function	22
3.2 Smoke channel and fittings	7	11.2 Auger loading function	23
3.3 Chimney flue	8	11.3 Pellet/Air-Intake ratio	24
3.4 Chimney stack	8	11.4 Stove status	24
3.5 Examples of proper installation	9	11.5 Enabling external thermostat	25
3.6 Documents to be issued	10	11.6 Language	25
3.7 Product unpacking	10	11.7 Contrast	25
3.8 Fixing the product	10	11.8 FW version	26
3.9 Pellet loading methods	11	11.9 Anticondensation	26
3.10 Electrical connection	12	12 Canalization	26
4 Maintenance	13	12.1 Setting single canalization	26
4.1 Maintenance of the smoke system	13	12.2 Setting canalization timer	27
4.2 Product maintenance	13	12.3 Display canalization status	27
5 Technical data	13	12.4 Double-canalization settings	28
5.1 Product data sheet	13	12.5 Setting canalization timer	28
5.2 Technical features	13	12.6 Displaying canalization status	29
5.3 Dimensions	14	13 Phases overview	29
5.4 Safety distances	14	14 Functions overview	29
6 Product configuration	14	15 Alerts overview	30
6.1 Configuration of remote control	14	16 Anomalies overview	30
6.2 Configuration of ext thermostat	15	17 Description of alarms	31
6.3 Pellet loading	15	18 Cleaning the appliance	33
7 Description of remote commands	16	18.1 Cleaning the fireplace	33
7.1 Description of receiver	16	18.2 Cleaning the glass door	35
7.2 Description of remote control keys	16	18.3 Cleaning the ash pan	35
7.3 Description of remote control display	16	18.4 Cleaning the brazier	35
7.4 Flat battery signalling	17	19 Wiring Diagram	36
7.5 Icon overview	17		

1 INTRODUCTION

Nobis products are designed and manufactured in compliance with the reference standards for manufacturing products (EN13240 wood stoves, EN14785 pellet appliances, EN13229 fireplaces/ wood-burning inserts, EN12815 wood-burning cookers), with high quality materials. The products also comply with the essential requirements of Directive 2014/35/EU (Low Voltage) and Directive 2014/30/EU (Electromagnetic Compatibility).

Any printing, translation and reproduction, even partial, of this manual are intended bound to the manufacturer's authorization, and the content of operating logics and explanatory figures is considered not to be disclosed.

Always consult authorized technicians in case of any doubts about the functioning of the product.


The manufacturer reserves the right to make changes to specifications and technical and/or working features of the product at any time and without prior warning.

1.1 SYMBOLS

This manual contains symbols highlighting the importance of particular descriptions or concepts;

 **INFORMATION:** complying with the product's specifications guarantees its correct operation.

 **WARNING:** this symbol is used to identify information of particular importance.

 **DANGER:** the presence of this symbol indicates that utmost attention is required to guarantee both user and product safety.

1.2 INTENDED USE

This is a manual for a fireplace for domestic heating, fed by automatic loading and using wood pellets only.

This product has been designed and manufactured to work in safety if the following conditions occur:

- installation by specialized staff in compliance with the specific reference standards;
- use within the limits declared on the product data sheet and in this manual;
- compliance with technical procedures as described in the manual;
- carrying out routine maintenance according to times and methods indicated in this manual;
- prompt execution of extraordinary maintenance if necessary (e.g. in case of malfunctioning);
- the safety devices are working properly and maintained on a regular basis (do not remove or bypass this devices).

1.3 IMPROPER USE

The product is intended to be used for the purposes and within the limits for which it was expressly designed; for any other use, the manufacturer cannot be held in any way liable for damage caused to people, animals or property.

Improper use is meant as:

- using the product as an incinerator;
- use of the product with fuel other than Ø 6mm wood pellets;
- Fuelling the product with liquid fuel;
- using the product with the fire door open and/or broken glass and/or ash pan removed and/or pellet tank open.

Any other use of the appliance other than that for which it has been intended must be authorized in advance in writing by the manufacturer.

Furthermore, the manufacturer cannot be held in any way liable for any mistakes in the installation, adjustment or maintenance of the product.

1.4 IMPORTANCE OF THE MANUAL

This manual has the purpose of providing essential rules for proper installation, use and maintenance of the product.

STORAGE: please, store the manual in a place that is easy and quick to find;

DETERIORATION OR LOSS: please, consult our official website to download the manual;

PRODUCT TRANSFER: In the event of sale of the product between private individuals, the owner is obliged to deliver the product with a copy of this manual included.

1.5 GENERAL SAFETY WARNINGS

Non-compliance with the provisions of this manual can cause damage to people, animals and property.

- Installation, testing of the system, functionality testing and initial calibration of the product must be carried out by qualified and authorized staff only.
- The product must be connected to a single chimney flue guaranteeing the draught declared by the manufacturer and complying with the installation standards outlined in the place of assembly of the product.
- The premises where the product is installed must be adequately ventilated (air intake).
- Do not touch the hot surfaces without adequate protective equipment, so as to avoid burns.
- When in operation, the external surfaces of the product reach high temperatures.
- It is forbidden to make any changes to the product unless expressly communicated in writing by the manufacturer.
- In the event of fire in the chimney flue, please contact the fire brigade immediately.

- The product can be used by children over 8 years of age and people with reduced physical, sensor or mental capacity, or without experience or the necessary know-how, provided that they are supervised, or have received instructions on the safe use of the appliance and are aware of the dangers an improper use may involve. Children must not play with the appliance.
- Cleaning and maintenance intended to be carried out by the user must not be carried out by children without supervision.
- Do not dry the laundry on the the product.
- The fuel and other flammable materials must be kept at a suitable distance from the product. Fire hazard.
- The product must be electrically connected to a system equipped with a suitable grounding system.
- In the event of a fault in the switch-on system, do not force ignition using flammable material. Consult an authorized technician.
- For non-hermetic products, installation in small rooms and bedrooms is forbidden.
- Installation is forbidden in environments with an explosive atmosphere.
- all parts resulting as being faulty due to negligence or careless use, wrong maintenance, or installation non-conforming to the manufacturer instructions (please, refer to the installation and use manual supplied with the appliance);
- further damage caused by wrong intervention by the user in the attempt to solve a preexisting fault;
- aggravated damage caused by further use of the appliance by the user once a fault has occurred;
- in the presence of a boiler, any corrosion, scale or breakages caused by stray current, condensate, abrasion or acidity in the water, scale removal treatments carried out improperly, water shortage, sludge or limescale deposits;
- inefficiency of the chimneys, chimney flues or parts of the system on which the appliance depends;
- damage caused by tampering with the appliance, atmospheric agents, natural disasters, vandalism, electrical discharge, fire, faulty electrical and/or plumbing system.

The following are also excluded from the warranty:

- parts subject to normal wear such as gaskets, glass, coverings and cast iron grates, painted, chrome-plated or gold-plated parts, handles and electrical cables, lights, switch resistor, indicator lights, knobs, and all those parts that can be removed from the fireplace (e.g. refractory, brazier);
- color variations of painted and ceramic parts, as well as ceramic cracks (being natural features of the material and consequent to use of the product);
- masonry works;
- parts of the system (if present) not supplied by the manufacturer;

Therefore, any technical interventions on the product for the elimination of the aforementioned defects and consequent damages must be agreed with the Technical Assistance Center, which reserves the right to accept or refuse the relevant assignment and in any case will not carry out the task as a guarantee, but as technical assistance to be provided under the conditions possibly and specifically agreed and according to the rates in force for the work to be carried out. The user will also be charged for the costs that may become necessary to remedy his/her incorrect technical interventions, tampering or, in any case, factors which can be harmful to the device and that cannot be attributed to manufacturing defects. Without prejudice to the limits imposed by laws or regulations, any warranty of containment of air and noise pollution is also excluded.

1.6 LEGAL WARRANTY

To benefit from legal warranty, the user must strictly comply with the provisions indicated in this manual. In particular, the user will have to:

- always work within the use limitations of the product;
- always carry out routine maintenance;
- authorize the use of the machine only to people with proven capacity, attitudes and who are adequately trained for the purpose;
- use original spare parts specifically intended for the appliance model in use.

It is also necessary to provide the following:

- fiscal receipt reporting date of purchase;
- a certificate of compliance for the installation of the product, issued by authorized staff.

Non-compliance with the provisions contained in this manual will imply immediate forfeiture of the warranty for both the product and any spare parts assembled thereafter.

1.7 EXCLUSIONS FROM WARRANTY

The warranty excludes all malfunctions and/or damage to the appliance resulting from the following causes:

- damage caused by transport and/or handling;

1.8 SPARE PARTS

Please, use only original spare parts.

Do not wait for the components to wear from use before replacing them.

This measure is intended to prevent accidents to people, animals or property from occurring in the event of product malfunctioning caused by defective spare parts.

We recommend you to contact authorized staff for the replacement of spare parts, worn parts and to carry out extraordinary maintenance.

1.9 IDENTIFICATION PLATE

The plate placed on the back of the product outlines all the characteristic data of the appliance, including the Manufacturer's data, serial number and CE marking.

1.10 PRODUCT DISPOSAL

Demolition and disposal of the product is at the sole responsibility of the user, who should do so in compliance with legislation in force in his country concerning safety matters, respect and safeguard of the environment.

At the end of its useful life, the product must not be disposed of as urban waste.

It can be delivered to specific differentiated waste collection centres made available by municipal administrations, or dealers providing this service.

Disposing of the product as differentiated waste means avoiding any possible negative consequences for both health and environment deriving from inadequate disposal. Furthermore, it allows for the recovery of the materials the product is made with, so as to obtain important savings in energy and resources.

1.11 HERMETIC PRODUCT

Products manufactured with a perfectly hermetic structure do not consume oxygen in the environment, for they take all the air they need outdoor (when properly installed). Therefore, they can be positioned inside all homes with a high level of insulation, such as "passive houses" or with "high energy efficiency". Thanks to this technology, there is no risk of smoke emissions in the environment and no ventilation grates are necessary.

As a result, no cold air flows - which can make the environment less comfortable and reduce the overall efficiency of the system- are created. Hermetic products can also be installed in the presence of forced ventilation or in premises which can go into negative pressure - if compared to the outside.

2 CHARACTERISTICS OF PELLETS

Wood pellets are fuel made from pressed sawdust, often recovered from carpentry processing waste. The material used cannot contain any foreign substances such as glue, varnish or other synthetic substances.

After being dried and cleaned of impurities, sawdust it is pressed by means of a matrix: the sawdust heats due to high pressure, activating the natural binders in the wood; by doing so, pellets maintain their shape even without adding artificial substances. The density of wood pellets vary according to the type of wood and can be up to 1.5 or twice as much that of natural wood. Pellet cylinders have a diameter of 6mm and a variable length of 10 to 40mm.

Their density is equal to approx. 650 kg/m³. Due to their low water content (< 10%), they have a high energy content.

The main quality certifications for pellets existing on the European market make it possible to guarantee that the fuel falls into class A1 according to ISO 17225-2: 2014 (ex EN 14961). Examples of these certifications are ENPlus, DINplus, Ö-Norm M7135. In particular, such certifications guarantee that the following characteristics are observed:

- heating power: 4.6 ÷ 5.3 kWh/kg;
- water content: ≤ 10% of weight;
- percentage of ash: max 1.2% of weight (A1 under 0.7%);
- diameter: 6±1/8±1 mm;
- length: 3÷40 mm;
- content: 100% untreated wood without any additional binder substances (percentage of bark max 5%);
- packaging: in sacks made from ecocompatible or biodegradable material.



For its products, the manufacturer suggests use class A1 certified fuel complying with EN ISO 17225-2:2014 standard, certified DIN PLUS (more restrictive than class A1) or else O-NORM M7135.



Pellets must be stored in a dry environment which is not excessively cold. We also suggest you to keep some bags of pellets where the product is installed and operating, so as to dry any humidity in them. Non-compliance with this aspect reduces the fuel thermal power. This means that the product will need greater maintenance.

3 INSTALLATION

! When installing and using the the product, all local, national legislation and European standards must be met.

When installing the product, the position must be chosen according to the environment, the discharge and the chimney flue. Check with your local authority whether there are more restrictive provisions regarding the combustion air intake and the smoke discharge system, including the chimney flue and chimney pot.

The manufacturer cannot be held in any way liable in the event of installation non-compliant with current legislation, of incorrect air exchange in the premises, or electrical connection non-conforming with standards and/or inappropriate use of the appliance. Installation must be carried out by a qualified technician who will provide the purchaser with a Declaration of Conformity for the system and will assume complete responsibility for final installation and resulting good operation of the product.

In particular, he should ascertain the following:

- that there is an adequate combustion air intake and good smoke discharge compliant with the type of product installed;
- other stoves or devices installed do not cause negative pressure in the room where the product is installed (only for hermetic appliances, a maximum of 15 Pa depression in the surroundings is permitted);
- when the product is on, there is no smoke back draught in the environment;
- smoke evacuation is implement in total safety (dimensioning, smoke seal, distances from flammable materials..).

Once the position where to install the product is decided, you need to pay attention to the following:

- if the floor is made of combustible material, you should use protection in suitable material (steel, glass...), also to protect the front part from any burning fuel which may fall while during cleaning;
- the floor guarantees adequate load capacity.

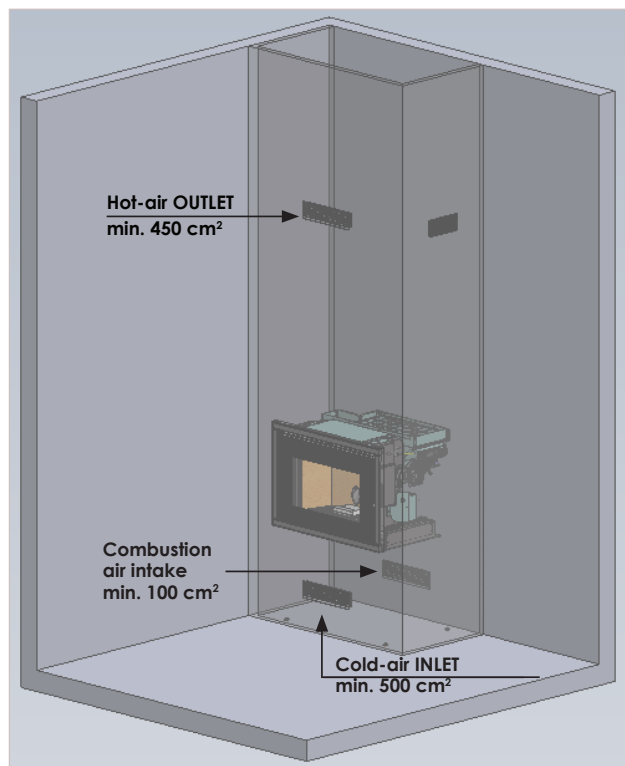
if the existing building does not meet the aforementioned requirements, you should take appropriate measures (for example a load distribution plate).

The air intake is not necessary in case of installation of hermetic appliances that take the air directly from the outside. Check and respect the ventilation requirements for simultaneous operations with other combustion appliances and in the presence of forced ventilation systems or hoods (please, see section 6.4 of UNI 10683).

To avoid overheating, it is mandatory to let the air circulate inside the structure of the chimney which covers the whole insert with one or more openings in both the lower and upper part of the covering.

Please, observe the following:

- the cold-air inlet on the lower part, which introduces fresh air from the environment, must have a total surface area of at least 500 cm².
- the natural-convection hot-air outlet on the upper part must have a total minimum surface area of at least 450 cm².



3.1 AIR INTAKE

The installation premises of non-hermetic appliances must be sufficiently ventilated with specific openings, with particular attention to the position (they must NEVER be blocked), which allow for air reintegration in the environment.

Air must be drawn directly from the outside (not from other rooms, garage, etc.) and must have a net useful section equal or higher than 80 cm² for pellet stoves and thermostoves (EN 14785) and 100 cm² for boilers (EN 303-5).

3.2 SMOKE CHANNEL AND FITTINGS

'Smoke channel' is a term indicating the piping connecting the combustion appliance with the chimney flue.

For heat-generating appliances equipped with an electric fan to expel smoke, the following installation instructions must be followed (provided by the manufacturer and concerning the maximum length and number of curves the smoke channels can have). If no indications for maximum values - or deriving from preliminary calculations, according to UNI EN 13384-1 - are given, the following provisions must be applied:

- comply with the EN1856-2 standard;
- the horizontal sections must have at least 3% upward slope;
- the length of the horizontal section must be minimal and its projection on plan must not exceed 4 meters;
- the number of changes of direction - including that for introduction into the chimney and excluded that due to the use of a "T" element in appliances with rear smoke outlet - must not be more than 3;
- the changes of direction must not have an angle exceeding 90° (a 45° curve is recommended);
- the section must have constant diameter, equal to the output of the fireplace up to the fitting in the chimney flue;
- it is forbidden to use flexible metal and fiber cement piping. Moreover, the piping must guarantee pressurized sealing;
- Smoke channels must not cross those premises in which installation of combustion appliances is forbidden;
- Use watertight piping with silicone gaskets.

In any case, smoke ducts must be sealed against combustion products and condensate, and must be insulated in case they run through the outside of the installation room. The installation of manual draught adjustment devices on forced draught appliances is not permitted.



It is necessary, at first, to install a vertical smoke channel section of at least 1 m to guarantee proper exhaust of fumes.

3.3 CHIMNEY FLUE

When installing the chimney flue, the following must be applied.

- compliance with EN 1856-1 product standard;
- it must be installed using materials suitable to guarantee resistance to normal mechanical and chemical stress, and have a correct insulation, to avoid formation of condensate. Therefore, it must be hermetically insulated;

- it must develop mainly vertically and it must not be choked along its length;
- be correctly spaced using air cavities and insulated against flammable materials,
- changes in its direction must be no more than 2 and with an angle not exceeding 45°;
- the indoor portion of the chimney flue must nonetheless be insulated and it can be inserted in a cavedium, provided that this complies with the relevant piping standards;
- the smoke channel should be connected to the chimney flue using a "T" joint with an inspectable collection chamber (for the collection of fuel residue and, particularly, condensate).



It is not possible to connect the appliance to a chimney flue shared with other combustion appliances or in the presence of hood exhausts.



It is forbidden to use direct wall discharge or towards closed spaces or any other form of discharge not planned by current legislation in the country of installation (e.g.: in Italy, only roof discharge is permitted)



It is recommended to check safe distances, which must be observed in the presence of combustible materials, and the type of insulating material to be used (such data are made available on the chimney flue plate).

3.4 CHIMNEY STACK

UNI 10683 standard states that the stack must meet the following characteristics:

- the smoke outlet section must be at least double the inner section of the chimney;
- the stack must be shaped to prevent water or snow from penetrating;
- the stack must be built in such a way that wind cannot affect the smoke outlet (wind-proof cap);
- the opening measurement, which is measured between the lower coverage protective layer and the lower point of the smoke outlet section into the atmosphere, must be outside the back draught area;
- the stack must be built far from antennas or satellite dishes and must never be used as a support.

3.5 EXAMPLES OF PROPER INSTALLATION

A proper installation of the product (A) needs for a horizontal section to connect it to a pre-existing chimney flue. A slope of 3-5% must be observed, so as to reduce ash deposit in the horizontal pipe section - which must not exceed 3m in length (1). The pre-existing chimney flue must be inspectionable (2).

An insulated chimney flue (3) with an internal diameter of no less than 100mm is necessary to install the product (B), since the smoke piping system has been assembled outside the building.

A single-wall chimney flue (4) for the section inside the building is also needed for a proper installation of the product. Relating to the part placed in the attic, it is recommended to install a $\varnothing 120\text{mm}$ chimney flue, with perforation for the passage of the piping, increased of:

- minimum 100mm around the pipe, if in contact with inflammable parts such as cement, bricks, etc.;
- minimum 300mm around the pipe (or as described in the data shown on the plate) if in contact with flammable parts such as wood etc.

In both cases, please provide with adequate insulation the space between the chimney flue and the attic (5).

It is also recommended to check and comply with the data shown on the plate of the chimney flue, particularly the safety distances to be observed from combustible materials.

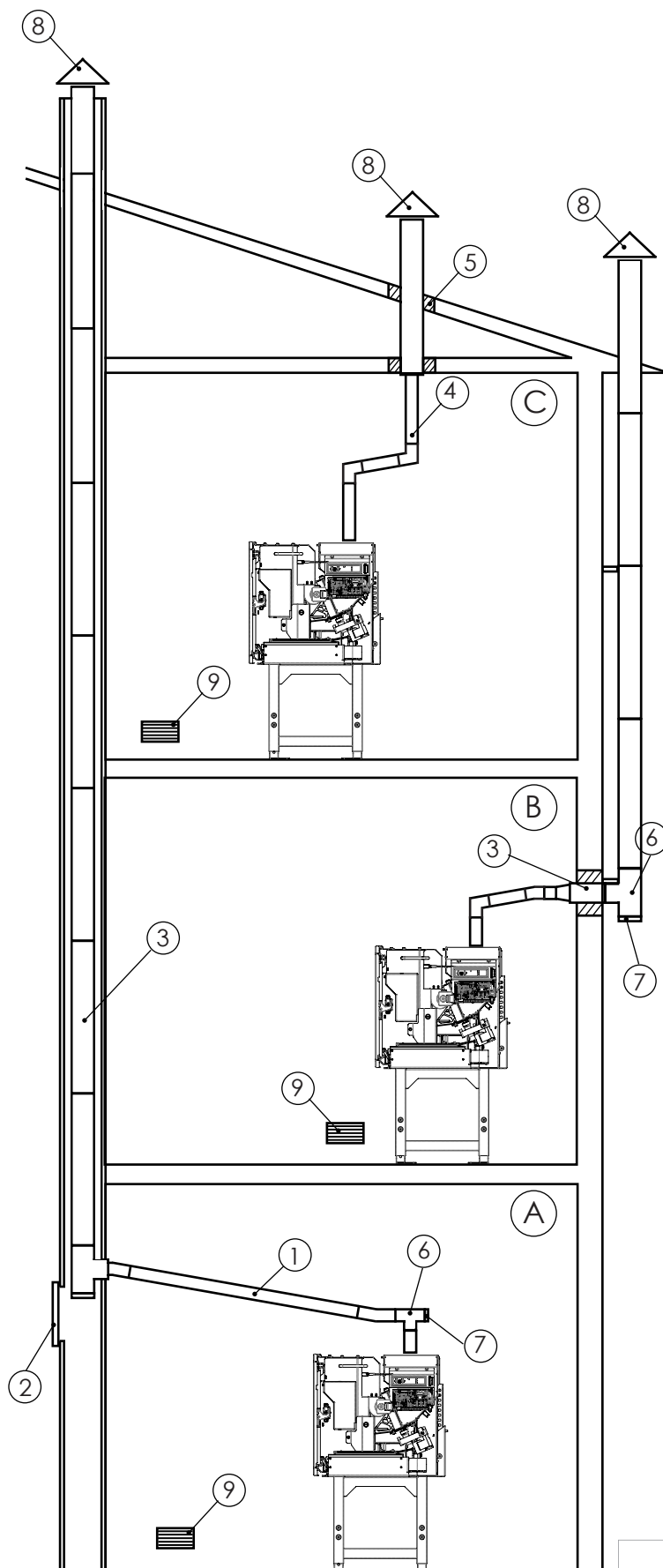
The previous rules also apply for holes made on walls.

On both the lower part and on the inlet of the chimney flue, for all 3 installations, a "T" fitting (6) equipped with inspection plug (7) is employed.

The upper part of the chimney flue, for all 3 installations, is equipped with a wind-proof chimney pot (8).

For each installations, a grate has been provided inside the building to guarantee correct oxygenation of the premises where the product is positioned.

The grate is not necessary if the appliance is hermetically sealed.



! It is not recommended to install a 90° curve as an initial section, for it would cause ash to block the smoke passage quickly, resulting in draught inefficiency in the appliance.

! In the event of particular atmospheric conditions and/or hostile draught conditions, the product can overcome these situations provided that due installation measures have been taken, e.g. installation of a wind-proof chimney pot.

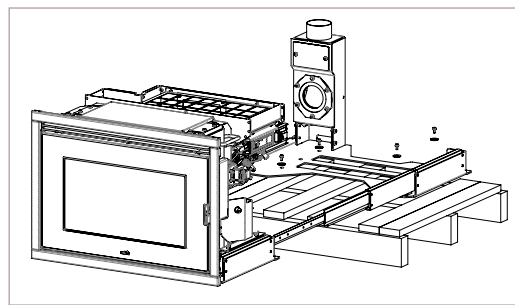
3.6 DOCUMENTS TO BE ISSUED

Once the installation has been carried out, the technician must provide to the user with the following:

- use and maintenance booklet of the appliance supplied by the manufacturer;
- technical documents of all the accessories used and subject to maintenance;
- documents related to the exhaust system;
- system booklet (when applicable);
- installation certificate;

Documentation useful for liability purposes of the installer must include:

- a detailed description (also including photographs) of the presence of other heat generators;
- Declaration of Conformity of the system (M.D. 37/08);
- general description, diagram or photographic documentation of changes made to the system, if any intervention is necessary during installation;
- Use of certified material with the CE mark (305/2011);
- possible instructions related to the warranty;
- date and signature of the installer;



- Before fixing the appliance, remember the following:
- prepare the chimney-flue connections, remembering that the appliance is supplied with vertical discharge because already equipped with the connection for ash collection (Ø 80 male).
 - set up the electrical system and/or make sure the electrical cable to the external socket is placed safely.

3.8 FIXING THE PRODUCT

The appliance can be installed in a pre-existing chimney compartment or in a special compartment built to measure and covered with drywall. In case the product is accessible from the outside, follow the procedure below to fix its base to the compartment surface.

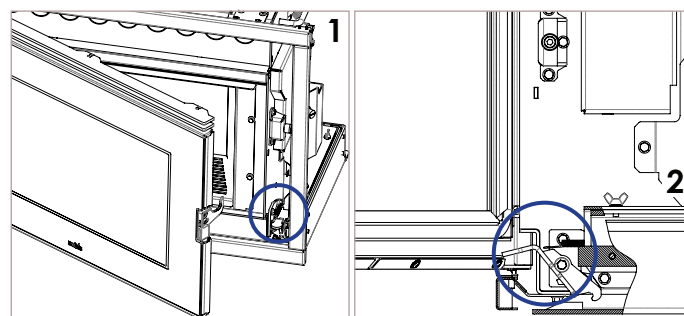
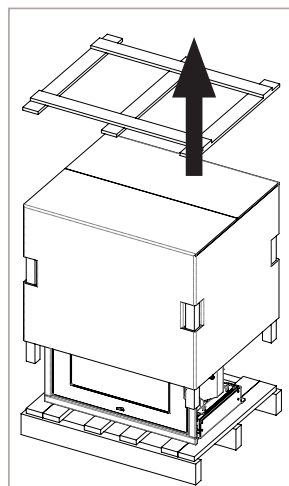


NOBIS SRL cannot be held in any way liable in the event of non-compliance with the installation and start-up standards of its products.

3.7 UNPACKING THE PRODUCT

Packaging is composed of boxes made with recyclable cardboard - according to RESY standards - and wooden pallets. All packaging materials can be re-used for similar purpose or, if necessary, disposed of as urban waste, in compliance with current laws.

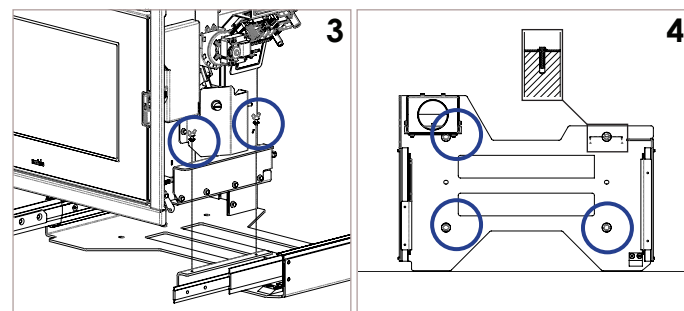
Remove the strap which binds the pallet to the packaging and lift the cardboard; remove the plastic bag which wraps the product, making sure it is intact. Please handle the product using a trolley, paying attention to always keep the body in a vertical position. Particularly, make sure that both the door and its glass are protected against mechanical impact which would compromise their integrity. If possible, unpack the product near the area where it will be installed. To remove the appliance from the pallet, it is necessary to remove the four screws placed under the pallet (Phillips-head screwdriver).



- 1 Open the appliance by using the specific handle (to be found in the box together with the instruction manual).
- 2 With your index finger, press down on the lever at the lower right - under the handle's hook - to unlock the safety mechanism and let the appliance slide open.

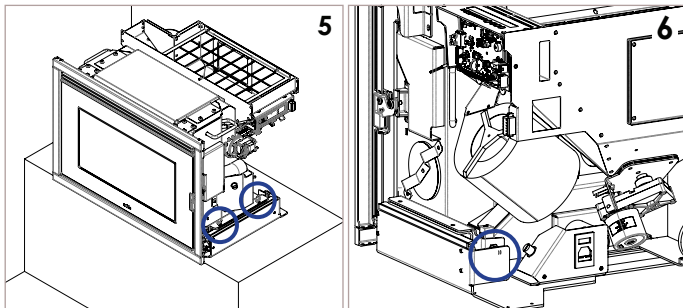


Pay particular attention when sliding the product open, as at this stage the base has not been fixed to the compartment's structure yet.



- 3 Unscrew the 4 wing-head thumb nuts and lift the product to release the slider, which will be used to fix the product to the base of the compartment.

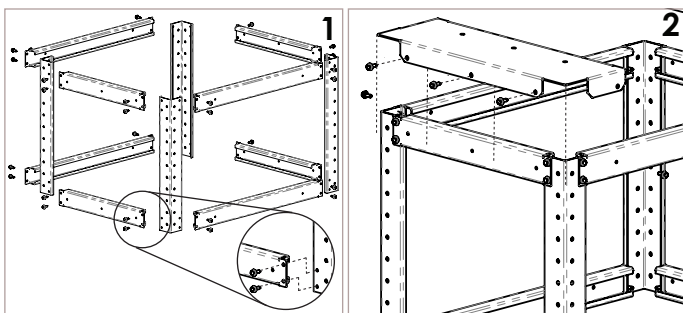
- 4** Place the slider on the base of the compartment, making sure that the top is not inclined. Using the 4 holes on the slider, drill the top (\varnothing 8 mm bit). Use 4 plugs and relative M8x40 screws and washers to fix the slide; reposition and secure the product, sliding it closed until you hear the safety mechanism clicking.



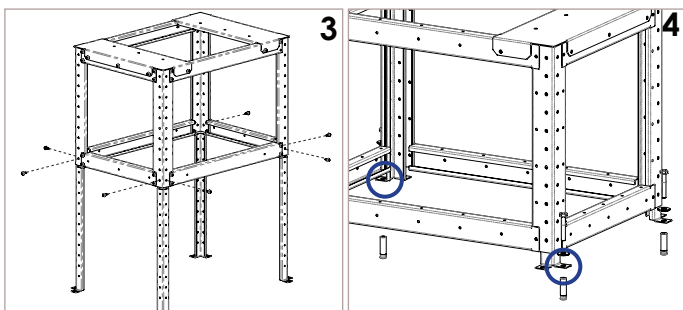
- 5** Final result.
6 Check if, with the appliance locked closed, the safety microswitch of the power supply is pressed.

MOUNTING AND FIXING THE INSERT ON THE SUPPORT

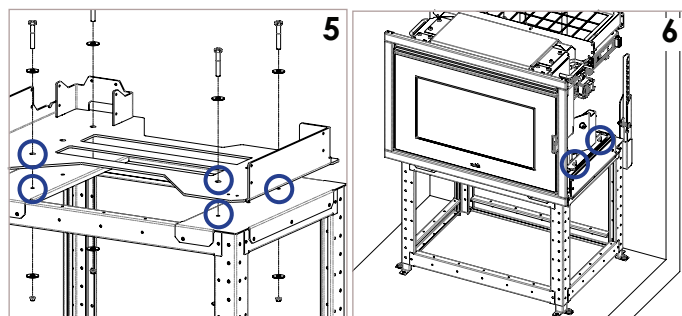
In case a support surface is not available, it is possible to order a specific adjustable support to be fixed on the floor.



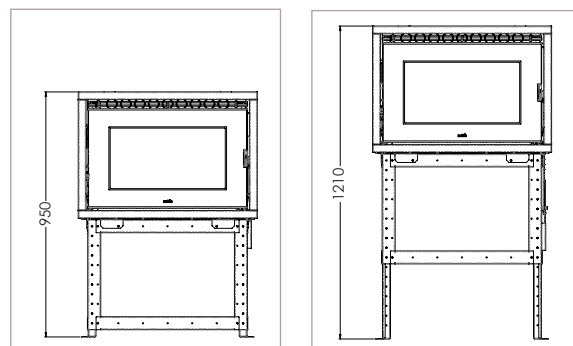
- 1** By using a screwdriver and a \varnothing 8 mm hex wrench, fix the metal sheets to the 4 frame supports with the 5x12 screws supplied with the product.
2 With the 5x12 screws, fix the two upper metal sheets on the left and right-hand side of the support respectively.



- 3** Adjust the structure's height by putting the 4 supports in the frame, fixing them with 5x12 screws.
4 Place the structure and drill the floor with a \varnothing 8 mm bit, then fix the structure to the floor by using the 4 plugs and pertaining screws and washers.



- 5** Release the insert from the slider (steps 1-4 of the previous paragraph). Attach the slider to the support by using the 4 M8 x 40 screws, the washers and the 4 M8 nuts (supplied with the product).
6 Reposition the product, fix it to the slider with the 4 wing-head thumb nuts, making it slide closed until you hear the safety mechanism clicking. With the appliance locked closed, check whether the safety microswitch of the power supply is pressed.

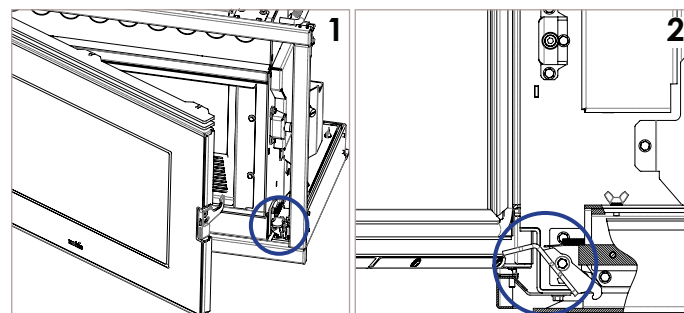


3.9 PELLET LOADING METHODS

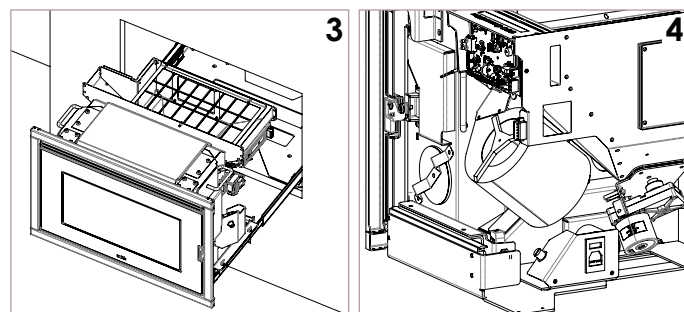
There are 3 possible solutions to load pellets:

- slide the appliance open (standard);
- use the pellet drawer (optional)
- use the wall pellet-loading system (optional).

SLIDING



- 1** Open the appliance by using the handle to be found in the box together with the instruction manual.
2 With your index finger, press down on the lever at the lower right - under the handle's hook - to unlock the safety mechanism and slide the appliance open.



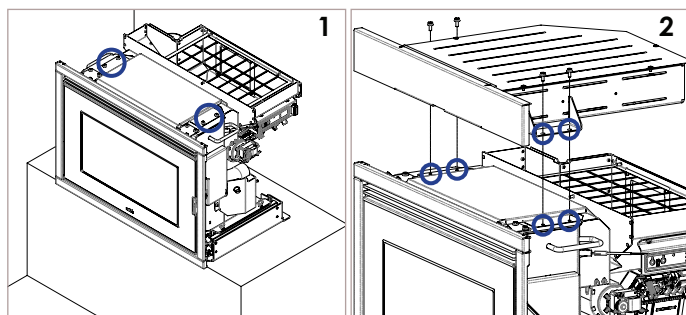
- 3 Load the pellets into the tank and close the appliance.
- 4 Check that the appliance has been placed correctly and safely by making sure that it is locked and cannot come off without pressing the lever (fig. 2).

! When loading pellets, it is recommended to slide the product open only when OFF, otherwise the system will disconnect as a safety measure and then switch to alarm 01 (Blackout) when the product is placed back again.

PELLET LOADING DRAWER

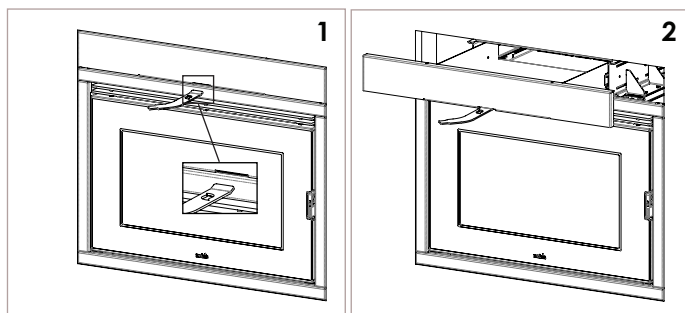
You can install an optional drawer on top of the body of the appliance, to allow loading pellets without necessarily having to turn off the product.

ASSEMBLY:



- 1 Use wrench size 8 to remove the 4 screws on the head panel of the product.
- 2 Place the pellet drawer paying attention to match the holes in the drawer with those on the product's head panel. Re-tighten the 4 screws back again to fix the drawer.

HOW TO USE IT:

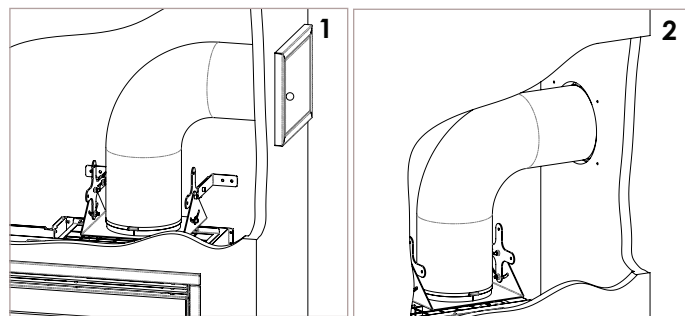


- 1 Use the specific handle (supplied) to pull out the pellet drawer.
- 2 Start loading pellets, dropping it into the hopper until it is filled.
Close the pellet drawer.

WALL PELLET-LOADING SYSTEM

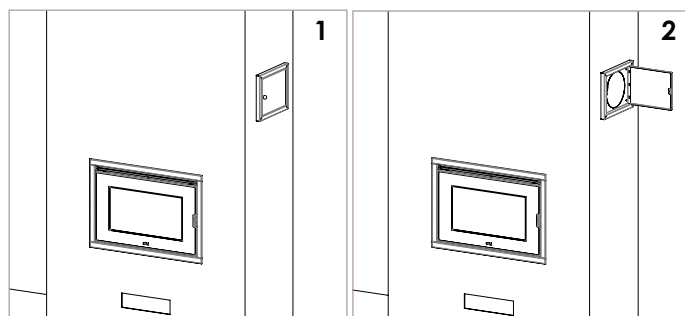
In case of a drywall structure, you can install a pellet loading system directly on the shaft wall; also in this case, it is not necessary to turn off the appliance while loading pellets.

ASSEMBLY:



- 1 Fix the moving part of the loading system on the back wall (behind the appliance) of the shaft and adjust the pellet drop point on top of the hopper.
- 2 Fix the hatch on the drywall, after having prepared a cutout for the assembly.
Use the flexible pipe to join the two structures fixed to the walls.

HOW TO USE IT:



- 1 Closed hatch.
- 2 Open hatch for pellet loading.

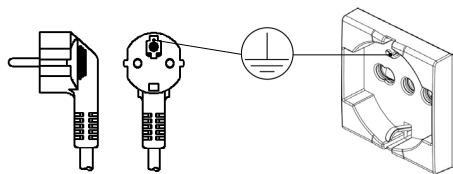
3.10 ELECTRICAL CONNECTION

The product power-supply cable must only be connected after concluding installation and assembly of the product, it must not be in contact with hot parts and must remain accessible after installation. To carry out electrical connection, proceed as described below:

- connect the power-supply cable on the back of the appliance;
- connect the cable plug to the electrical socket on the wall.

i You can connect an outer programmable thermostat to the appliance for its regulation or to switch it on and off. For connection and management of the "outer thermostat" function, please see the specific chapter in this manual.

! It is compulsory for the system to be grounded and have a differential switch in compliance with current laws. Also, ensure the socket is compatible with the type of plug on the power cable used.



4 MAINTENANCE

Maintenance operations, excluding routine cleaning (explained in the relevant paragraph), must be carried out by authorized, technical staff. Remember, before carrying out any maintenance operation, to implement the following precautions:

- all parts of the product must be "cold";
- ensure there is no form of combustion whatsoever (for example hot ash);
- use safety devices as per directive;
- remove the plug from the electrical socket;
- once maintenance has been carried out, reset the product paying attention to re-activate all the safety devices.

4.1 MAINTENANCE OF THE SMOKE SYSTEM

The chimney flue must always be kept clean, since deposits of soot or fuel residue reduce the flow rate, blocking the tube's draught, thus compromising good operation of the product and, if in large quantities, cause fire. It is mandatory to have the chimney cleaned and checked by a qualified chimney sweep at least once a year or after a prolonged stop for non-use of the appliance. At the end of the check/maintenance, ask for a report to be issued stating that the system is safe. Failure to clean jeopardizes the safety of the system.

4.2 PRODUCT MAINTENANCE

Carry out maintenance at least once a year or on each "Service Hours" signalling (signal appearing on screen when the limit of working hours, over which excellent operation is not guaranteed, have been exceeded).

In this phase, the authorized technician should:

- completely and accurately clean the smoke pipes;
- check the sealing status of all the gaskets;
- remove crushed pellet residue inside the pellet tank;
- re-assemble all parts of the appliance;
- check correct operation and good quality of combustion.

5 TECHNICAL DATA

This chapter gives the end user all information related to the technical data of the product, its dimensions, installation measurements, minimum distance to from walls and furniture, sofas, etc. to be observed.

5.1 PRODUCT DATA SHEET

PRODUCT DATA SHEET	
EU 2015/1186	
Brand	Nobis
Model	B10 V ULISSE - B10 C ULISSE
Energy efficiency class	A+
Direct thermal power (Kw)	9.0
Indirect thermal power (Kw)	-
Energy efficiency index	127.9
Useful efficiency (Nominal power %)	90.8
Useful efficiency (Reduced power %)	91.2
Warnings, installation procedures and periodic maintenance must be observed as per pertaining instruction manual.	

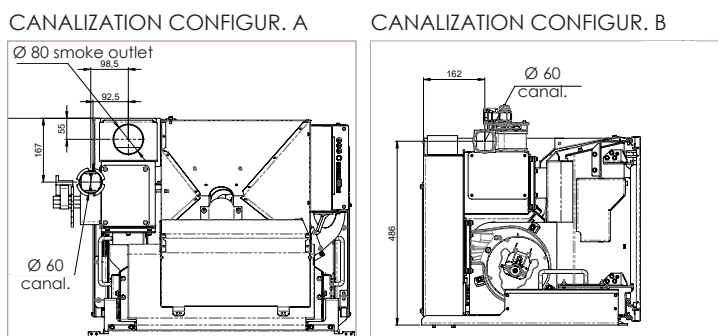
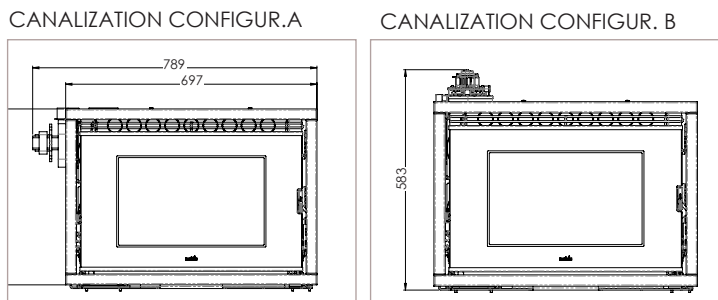
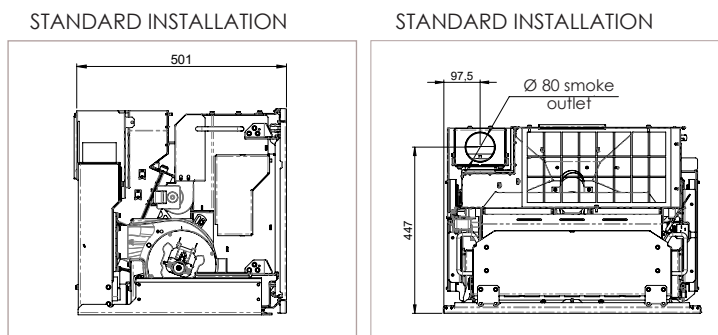
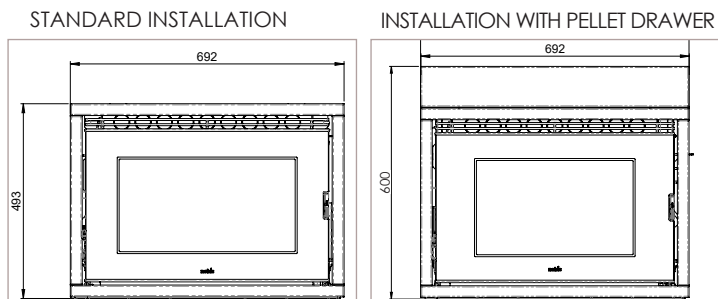
5.2 TECHNICAL FEATURES

Model	B10 V ULISSE - B10 C ULISSE	
	Reduced	Nominal
Weight of appliance (kg)	100	
Ø air inlet (mm)	50	
Ø smoke outlet pipe (mm)	80	
Vol. max. heating* (m ³)	221	
Power introduced (kW)	4.9	9.9
Yield introduced (kW)	4.5	9.0
Yield (%)	91.2	90.8
CO 13% O ₂ (%)	0.012	0.006
Tank capacity (kg)	14	
Pellet hourly consumption (kg/h)	1,01	2,02
Autonomy (h)	14	7
Absorbed electrical power (W)	265	
Electrical power supply (V-Hz)	230-50	
Discharge gas flow (g/s)	5.47	7.33
Minimum draught (Pa)	10	12
Smoke temperature (°C)	96	138

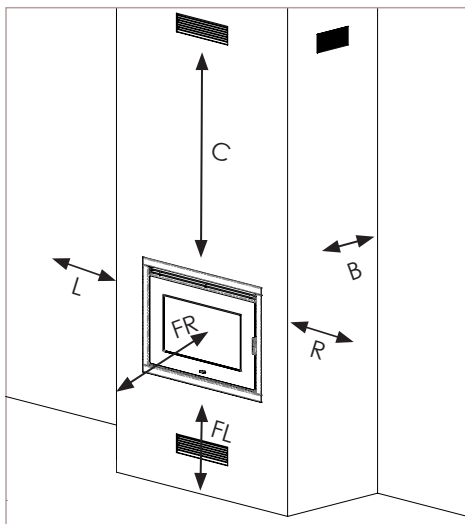
* this value can vary depending on the type of energy class of the house and the type of pellet used.

The outlined data are approximate and non-binding and can vary depending on the type of pellet used. The manufacturer reserves the right to make changes for the purpose of improving product performance.

5.3 DIMENSIONS



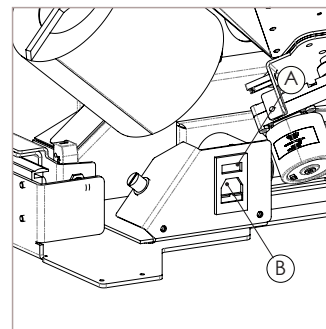
5.4 SAFETY DISTANCES



Minimum distance from flammable materials		
L-R	Left/Right-hand side	300 mm
PV	Floor	500 mm
B	Back side	50 mm
F	Front	800 mm
C	Ceiling	220 cm

6 PRODUCT CONFIGURATION

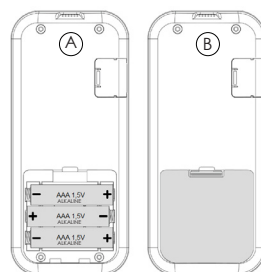
Once installation, assembly of the coverings (where present as a kit) and electrical connection have been duly carried out, access the back side of the product to power it.




The "I/O" (A) switch in the figure above must be positioned on "I". In the event of power failure, check the condition of the fuse placed under the switch (B) (4A fuse EU configuration). During periods of non-use, it is recommended to both disconnect the power cable and remove the batteries from the remote control.

6.1 CONFIGURATION OF THE REMOTE CONTROL

Remove the protective cover on the rear of the remote control, as in the figure (A), and insert 3 batteries (type AAA Alkaline 1.5V) in the remote control compartment, paying attention to polarity. Close the protective cover of the batteries as in figure (B).





CAUTION
Risk of explosion if battery is replaced with the wrong type.

Once exhausted, the batteries must be disposed of in a dedicated collection center.

To protect batteries from adverse conditions or misuse, remember to:

- keep the remote control away from heat sources, risk of explosion;
- remove the batteries in case of long periods of non-use of the remote control, risk of oxidation and liquid leakage;




Nobis srl declares that the type of "Handheld" radio device complies with Directive 2014/53/EU.

Full text of the EU declaration of conformity is available at the following Internet address:

<https://www.nobisfire.it/wp-content/uploads/2019/04/DoC-Palmare-Radio-Nobis-1.pdf>




After showing a first short screen with the manufacturer's logo, the remote control will list all languages in which the menu is available.



Select your standard language, using the keys  . Press  key to confirm and move on to the next screen.


To work properly, the remote control requires interfacing with the electronic board inside the product. For this reason, the display will show the following installation message.

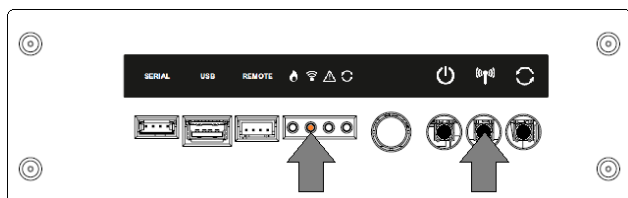



If this is the first use of the remote control, choose **YES** with the selection keys  . Press  key to confirm and move on to the next screen.


Follow the instructions to link the appliance to the display via remote, as showed in the figure below.



Keep the remote communication key  of the electronic board (placed on the rear of the product) pressed for a few seconds to start the unit search procedure.




The yellow, flashing led, under the icon  indicates that the electronic board is waiting for the remote control signal.

Press the confirmation key  on the remote control to make the components communicate with one another.

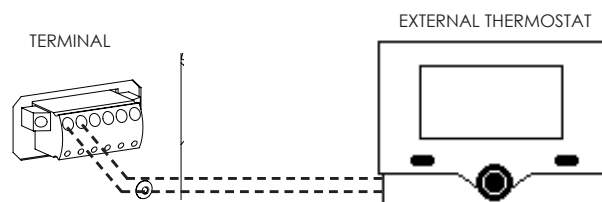
A tick sign on the display, accompanied by an acoustic signal, indicates that the remote connection operation has been carried out successfully.




If the batteries are replaced, you don't necessarily have to follow the initialization procedure of the remote control once again. In this case, when the display will show the message "FIRST INSTALLATION?", select **NO** and press the confirmation  key.

6.2 CONFIGURATION OF EXT. THERMOSTAT

If you want to manage the appliance from a different room (i.e. where the remote control cannot communicate), you can connect an external thermostat to the product, to adjust combustion or, by activating a particular function, switch the product on/off. As shown in the figure below, connect the terminals of the thermostat to the terminal board on the back of the product (near the emergency panel).




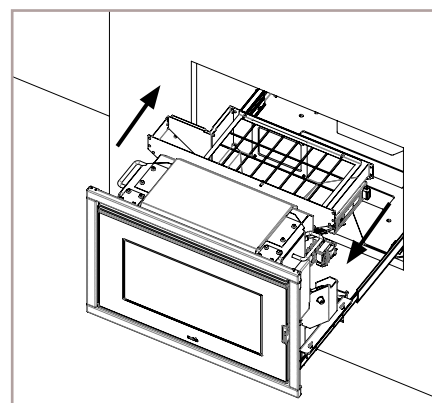
Once the electrical connection has been carried out, it is necessary to activate the recognition function from the SETTINGS menu to allow the control unit to recognize the presence of the external thermostat (see paragraph: "ENABLE EXTERNAL THERMOSTAT").

 By enabling the function that enables the external thermostat, reading and management of room temperature are inhibited on the remote control. The remote control will display TON when a higher temperature is required, TOFF if the temperature set on the thermostat has been reached.

6.3 PELLET LOADING

Load pellets from the top of the product by sliding it open. Make sure that the pellets contained in the bag do not leak onto or into the product, paying particular attention to the centering while loading. Also, avoid that the pellet package comes into contact with hot surfaces.

 Make sure to close back the fireplace insert properly after loading. An electronic contact controls the closing, allowing the product to power up only when closed properly. Therefore, in case the product fails to ignite, check the correct closure of the insert.



7 DESCRIPTION OF REMOTE CONTROL

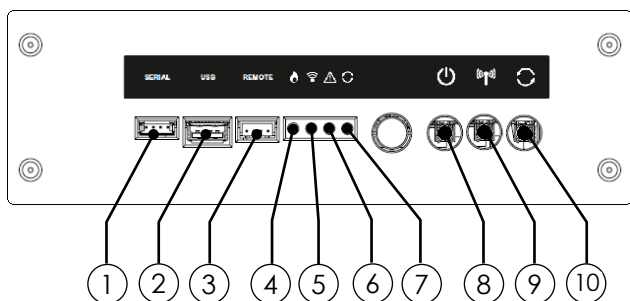
Before switching on the appliance, it is recommended to read the following chapter carefully (pertaining the use of the receiver and the remote control, as well as their related functions).

INFORMATION NOTE:

- frequency bands and transmitted power used by the equipment, as reported in technical documentation: 868.3MHz - 869.85MHz
- frequency bands and respective power limits transmitted applicable to the device (frequency and standardized power): 6dBm ERP

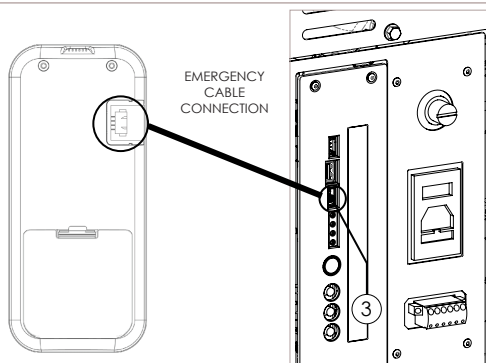
7.1 DESCRIPTION OF RECEIVER

The appliance is equipped with an emergency remote board, placed on the back of the product, which allows to manage some basic functions in the event the remote control is faulty or not working properly.



- 1 Serial connection (to be used by authorized staff ONLY)
- 2 USB connection (to be used by authorized staff ONLY)
- 3 Emergency cable connection
- 4 GREEN LED - appliance working status
- 5 YELLOW LED - remote communication in progress
- 6 RED LED - alarm on
- 7 BLUE LED - System updating in progress
- 8 Appliance switch on/off button
- 9 Receiver - remote control pairing button
- 10 Manual update button (to be used by authorized staff ONLY)

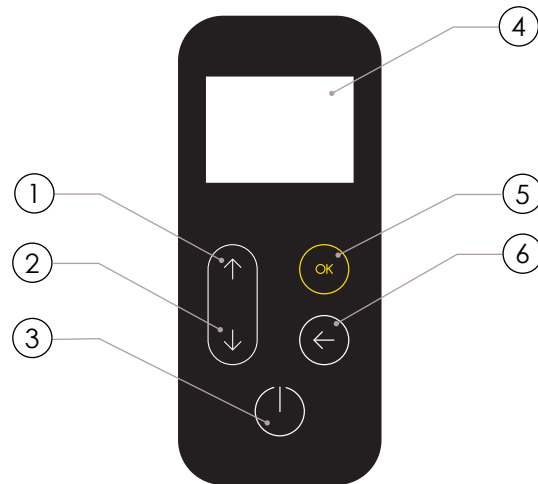
i In the event of malfunctioning of the remote communication between the remote control and the receiver, or if batteries are flat, please use the **emergency cable** supplied to restore communication between the remote devices.



! Before connection using the emergency cable, remove the batteries from the remote control. FIRE HAZARD

7.2 DESCRIPTION OF REMOTE CONTROL KEYS

The remote control appear as in the image shown below:

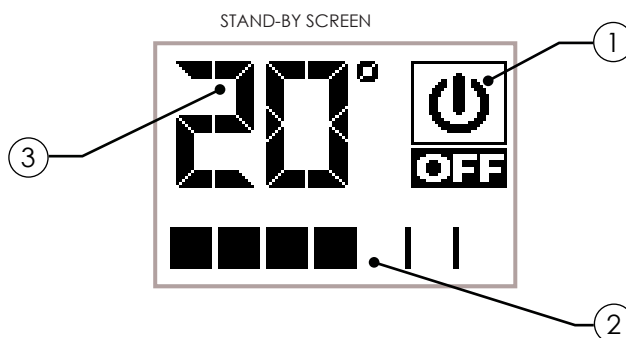


- 1 'Increase' key (selection key)
- 2 'Decrease' key (selection key)
- 3 'ON/OFF', or 'reset from "Sleep" mode' key
- 4 Display
- 5 'MENU acces's and 'Confirmation' key
- 6 'Back to previous screen' key

i When in "Sleep" mode, the screen of the remote control is blacked out, only maintaining enabled, if necessary, the remote communication with the appliance, to reduce battery consumption.

7.3 DESCRIPTION OF THE REMOTE CONTROL DISPLAY

The remote control display will appear as follows:



i After 20 seconds of inactivity, the display on the remote control blacks out and passes to "SLEEP" mode, maintaining the remote connection with the appliance. The display will re-enable by simply by pressing the **!** key.

- ① Icon indicating the status of the appliance (see "Icons Overview").
- ② Indicates the working power set. Moreover, by pressing the scroll key (↓) it will allow power settings to be displayed and then edited by using the two scroll keys (↑, ↓). Confirmation of each variation takes place automatically within 3 seconds from the editing of data, or by pressing the confirmation (OK) key. An acoustic signal will confirm the change.



- ③ Displays room temperature as detected by the remote control. Moreover, by pressing the scroll key (↑) it will allow temperature settings to be displayed and then edited by using the two scroll keys (↓, ↑). Confirmation of each variation takes place automatically within 3 seconds from the editing of data, or by pressing the confirmation (OK) key. An acoustic signal will confirm the change.



7.4 FLAT BATTERIES SIGNAL

If batteries are flat, the display will show a symbol indicating their limit status, maintaining the functions of the remote control enabled anyway.



As soon as the battery level does not allow any remote communication anymore, the remote control will display the image of a flat battery full screen, blocking all other functions connected to it until the batteries are replaced.

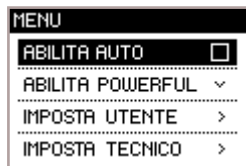


7.5 ICONS OVERVIEW

①	②	③	MEANING
			IGNITION
			WORKING
		MAN	WORKING WITHOUT TEMPERATURE CONTROL
			POWER SAVING MODE
	AUTO		AUTOMATIC WORKING (see specific paragraph)
	POWERFUL		'POWERFUL' WORK (see specific paragraph)
			OPTIMIZED WORKING (see specific paragraph)
			BRAZIER CLEANING (where present)
			CLEANER ON (cleaning to empty brazier)
			AIR CON. COMFORT ON
			RESTART FROM AIR CON. COMFORT
			FINAL CLEANING
			OFF
			WARNING (see specific paragraph)
			FLAME TEMPERATURE OVER LIMIT
			PELLETS OVERLOAD
			PRESSURE SENSOR FAULT
			FAULTY FLAME PROBE
			REMOTE BATTERIES ALMOST FLAT
			LIMIT OF SERVICE HOURS REACHED

8 MENU BROWSING

To access the menu and display all entries available, press key **OK** on the stand-by screen, as shown in the figure below.



Scroll the menu entries using the keys **↑** **↓**

Confirm your selection with the key **OK**

To return to the previous entry, press key **←**

Below you can find a practical example follows of how to browse the menu using all the selection keys.



9 FIRST START-UP INSTRUCTIONS

This chapter highlights a series of operations to carry out during the first start-up phase of the appliance.

9.1 HOUR-DATE SETTINGS

Below you can find the procedure to set date and time on the models of the manufacturer's range, useful for the timer thermostat.

OPERATING PROCEDURE:

MENU >> USER >> SETTINGS >> HOUR-DATE

Access menu by pressing **OK**

Scroll entries to USER by pressing **↓**

Access menu by pressing **OK**

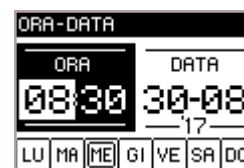
Scroll entries to SETTINGS and press **↓**

Access menu by pressing **OK**

Scroll entries to HOUR-DATE by pressing **↓**

On the HOUR-DATE menu entry, press **OK**

The screen to adjust time and date will appear, as shown in the figure below.



Edit the highlighted datum using **↑** **↓**

Confirm changes using **OK**

Repeat the operation to complete settings.

During editing, remember the following:

- to return to the previous data without saving the last data changed, press **←**
- if you are going to change one single datum, once the change has been made, press **OK** repeatedly to exit the function described in the paragraph.

To go back to the STAND-BY screen, press **←** repeatedly.

9.2 ROOM PROBE CALIBRATION (remote control)

Below you can find the procedure to calibrate the remote control probe, should the value differ from the reading of a reference sample thermostat.

OPERATING PROCEDURE:

MENU >> USER >> SETTINGS >> ROOM PROBE CAL.

Access menu by pressing **OK**

Scroll entries to SETTINGS with **↓**

Access menu by pressing **OK**

To scroll entries to SETTINGS by pressing

Access menu by pressing

Scroll entries to ROOM PROBE CAL. and press

On ROOM PROBE CAL, press

The room-probe adjustment screen will appear as shown in the figure below.



Edit highlighted data by using keys

Example: if reference thermostat displays 21°C and remote control displays 19°C, set +2 on the remote control to display 21°C.

Confirm the change by pressing key

To go back to the STAND-BY screen, press key repeatedly.

9.3 USER/AUTO MANAGEMENT

The logic, relating to this type of management, is as follows:

USER:



the user reserves the right to set the desired room temperature and the fireplace power needed to reach this temperature.

AUTO:



the user simply sets the desired room temperature and the appliance will manage both fireplace power and ventilation (if applicable) autonomously.

OPERATING PROCEDURE:

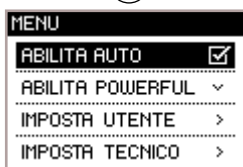
MENU >> ENABLE AUTO

Access menu by pressing

Select the first menu entry, ENABLE AUTO.

Tick it, by using if you want to run the appliance in AUTO mode .

Do not tick it if you want to run the appliance in USER mode .



This setting inhibits manual management of the optional fan, with the exception of the fan set on OFF. In this case, the appliance will manage autonomously only the power to the fireplace. Ventilation will remain disabled.

9.4 ROOM-TEMPERATURE SETTINGS

Room temperature defines the temperature you want to obtain in the premises where the product is installed.

From the STAND-BY screen, key to select the desired temperature;

Temperature values range from 7°C to MAN (when MAN function is set, it means that the appliance NEVER enters into power saving mode).

Edit temperature values by using keys

Confirm the new setting with the key or wait 3 seconds to auto-confirm.

9.5 FIREPLACE POWER SETTINGS

The fireplace power defines the quantity of heat produced by the appliance. This implies different fuel consumption. Basically, it is used to speed up the time needed to reach the temperature which has been set for the premises where the product is installed.

From the STAND-BY screen, press key to select power;

Values range from 1 to 7;

Edit values by using keys

Confirm the new settings by pressing key or wait 3 seconds for auto-confirm.

9.6 SWITCHING ON/OFF THE PRODUCT

To switch the product on, keep pressed key until the screen below, followed by an acoustic signal, appears.



Before switching on, ALWAYS vacuum the brazier, for models without a cleaner automatic.

This screen will be displayed for the following machine statuses;

SWITCH ON

- Initial phase of pellet loading;


WAITING FLAME

- Waiting for the flame to develop;


FLAME PHASE


- Flame stabilization phase and combustion reduction inside the brazier;

A "flame" symbol with the writing ON - without displaying the working power - will appear.


In order to switch off the product, as well as reset alarms, keep pressed key . An acoustic signal will follow.



 On models equipped with automatic cleaner, a brazier cleaning phase will be activated before entering into SWITCH ON mode.

In the event of an IGNITION FAILURE after pressing , a POP UP will signal the need to suck the pellet from the brazier before turning the appliance back on, thus avoiding discharge of unburned pellets into the ash drawer.

 Always vacuum the brazier using an ash cleaner. FIRE HAZARD.

 During the first activation of the product, unpleasant odours - or smoke caused by evaporation or drying of certain materials used - may occur. This phenomena will disappear after some hours of use. During this period, it is recommended to keep the premises well ventilated.

10 OPERATION

Products in the range include 7 different power levels. Below you can find a description of how the appliance will work once the desired room temperature - if set - is reached.

10.1 SAVING MODE

While operating, the appliance works to reach the desired room temperature; when this condition is met, power is reduced and the product enters into SAVING mode, a phase in which fuel consumption is kept minimal. Now, a series of clarifications on the benefits of the AUTO function, to switch to economy mode and/or return to normal operation, are made necessary:

- Ventilation, if present and enabled, works in different operating modes, depending on the existing discrepancy between set temperature and actual temperature in the premises.
- The appliance gradually increases the fireplace power as soon as temperature in the premises goes below the set values (combustion optimization and acoustic comfort).

The screen in SAVING mode will appear as follows:



10.2 COMFORT CLIMA FUNCTION


As described in the "saving mode" paragraph, the appliance has the objective of satisfying the thermal comfort required by the user. When COMFORT CLIMA (function included in SAVING MODE) is active, it also ensures - if the house has a good energy class - a saving of fuel by means of intelligent switch on/off system (upon setting/achievement of the desired temperature). Below you can find the procedure to activate this function and a thorough description of all those values which can be set, along with a practical example.

OPERATING PROCEDURE:

MENU >> USER >> COMFORT CLIMA

Access menu by pressing 

Scroll entries to SETTINGS with 

Access menu by pressing 




Scroll entries to COMFORT CLIMA and press 

Once on COMFORT CLIMA, press 

The function screen with all setting parameters to be activated and adjusted will appear as in the figure below.




Enable/disable the function by pressing  and:

- Go back to USER by pressing  OR 
- Move on - by using  - to the choice of time in saving mode before the function switches off the product.

Edit values by using  





Confirm your selection by pressing  and go to temperature setting, to set the value under which the product must switch on.


Edit values by pressing  




Confirm the change by pressing  and go back to the SETTINGS screen.


When changing time and restart temperature in saving mode, remember the following:

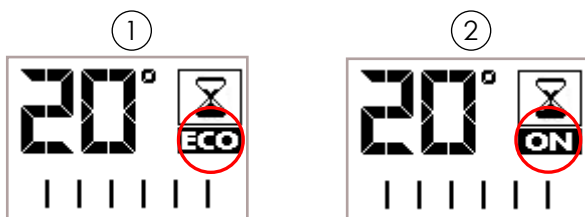
- in order to go back to the previous data without saving the last change, press the key 
- in case you want to change one single datum, press  repeatedly, once you have changed it, to exit the function described in this paragraph.

To go back to the STAND-BY screen, press key  repeatedly.

STATUS SCREEN.

To recognize when the appliance is about to switch off in COMFORT CLIMA mode, the following screen  must be displayed

To recognize when the appliance is about to switch on in COMFORT CLIMA mode, the following screen  must be displayed



PRACTICAL EXAMPLE:

Room temperature set at 21°C;


Saving mode set at 3 minutes;

Restart temperature set at 2°C less than set temperature.

The appliance switches off as soon as room temperature reaches the set value + 3 minutes in saving mode.

The product switches on when a temperature of 18°C (21°C - 2°C - 0.5°C tolerance) is detected.


You can also activate this function using an external thermostat, taking into consideration that this does not include hysteresis values.

 It is recommended to use an external thermostat with its own hysteresis value that can be set up to a maximum of 3 °C. The appliance could start the on and off phase several times during the day; this could compromise the duration of the ignition resistance.

10.3 POWERFUL FUNCTION


When powerful function is active, you can heat the room by using the fan at maximum speed. The aim is to supply the maximum heat, despite of a reduction in acoustic comfort.

You can also set a specific time for POWERFUL function to operate.

 When POWERFUL function is enabled and ventilation disabled (for models equipped with optional ventilation), the fan activates automatically at maximum speed for the time this function is operating.

The working logic is the following:

USER:

 the user reserves the right to set the desired room temperature and the fireplace power useful to reach this temperature.


POWERFUL: the user can activate this function either manually or by setting a specific time. The appliance is released from the power set, also forcing ventilation at maximum speed for 5 minutes or up to when the set temperature has been reached, or else when the function is disabled by either the user or the timer.

OPERATING PROCEDURE 1:

MENU >> ENABLE POWERFUL

Access menu by pressing 

Scroll entries to ENABLE POWERFUL, then press 

By pressing , the POWERFUL screen, with all available settings, will appear.



Edit the type of activation by pressing  

OFF - Powerful disabled;

ON - Powerful enabled;

TIMER - Powerful is enabled by means of a timer.

As previously described, you can set a timer to enable this function. Below you can find the operating procedure to access and edit data.

OPERATING PROCEDURE 2:

MENU >> USER >> SETTINGS >> POWERFUL

Access menu by pressing **OK**

Scroll entries to SETTINGS by pressing **↓**

Access menu by pressing **OK**

Scroll entries to SETTINGS by pressing **↓**

Access menu by pressing **OK**

Scroll entries to POWERFUL by pressing **↓**

On the POWERFUL menu entry, key **OK**

An edit screen to adjust parameters will appear, as shown in the figure below.



You can set the switch-on and switch-off time, as well as enable the days of the week, by pressing **↑** **↓**



Confirm each change using the confirmation key **OK** until you exit the SETTINGS screen.

During editing, remember the following:

- to return to the previous data, without saving the last data changed, press the key **←**
- If you want to edit one single datum, press **OK** repeatedly to exit the function once the change has been carried out

To go back to the STAND-BY screen, press key **←** repeatedly.

i If the timer has been set with the POWERFUL function, the data setting in "Enable Powerful" must be set on "TIMER". If the value is "ON", the timer is inhibited up to its disabling (OFF).

i The POWERFUL function inhibits AUTO management up to its disabling if both timer and manual options are enabled.

10.4 VENTILATION MANAGEMENT (not supplied with this model)

Products of the range equipped with optional ventilation take advantage of the natural convection system, which guarantees a considerable amount of heat in the premises in total absence of noise. However, it is also possible to access the menu (as shown below) to enable optional ventilation according to the desired power.

OPERATING PROCEDURE:

MENU >> USER >> VENTILATION

Access menu by pressing **OK**

Scroll entries to SETTINGS with **↓**

Access menu by pressing **OK**

On the first entry in the "VENTILATION" menu, press **OK**

The screen to adjust ventilation will appear as shown in the figure below.



To edit ventilation power, press **↑** **↓**

0 - ventilation disabled;

1-7 - ventilation power range;

PS - ventilation follows the fireplace power as set on the appliance.

i If the PS function is not set, the fan power works independently from the product power.

Confirm by pressing **OK**

To go back to the STAND-BY screen, press key **←** repeatedly.

11 DESCRIPTION OF THE MENU FUNCTIONS

This chapter describes the functions of the user's menu, useful to improve some comfort-related aspects of the user and/or product's operation.

11.1 THERMOSTAT WITH TIMER FUNCTION

With the thermostat timer, you will be able to: set automatic switch on/off of the product for each day of the week, with 4 independent time intervals available (PROGRAMS 1 - 2 - 3 - 4). To enable this function, please follow the procedure shown below, starting from the STAND-BY screen.

OPERATING PROCEDURE:

MENU >> USER >> THERMOSTAT TIMER

Access menu by pressing **OK**

Scroll entries to SETTINGS, then press **↓**

Access menu by pressing **OK**

Scroll entries to THERMOSTAT TIMER, then press **↓**

Access the function by pressing **OK**

The screen to activate the function and edit the 4 TIMER programs will appear as shown in the figure below.



Enable/disable the function by pressing **OK** and:

- Return to USER SETTINGS by pressing **←**.

OR

- Move on to the choice of the program to be set by pressing **↓** and access with **OK** to edit them.

If you want to access 1 of the 4 programs, the screen will appear as shown below:



Edit the switch-on and off time, and/or enable the days of the week by pressing the keys **↑**/**↓**

Confirm each change using **OK** and then move on to the second screen of the TIMER program.

The screen, illustrated in the figure below, will display all possible settings of the fireplace power while the time is on and the desired room temperature. ①

Furthermore, you will be able to manage the desired ventilation speed (if applicable) at a given power. ②



Edit values using the keys **↑**/**↓**

Confirm each change by pressing **OK** until you exit the program.

While editing, remember the following:

- to return to the previous data without saving the last change, press **←**
- In case you want to change one single datum, press **OK** repeatedly, once you have changed it, to exit the function described in this paragraph. To go back to the STAND-BY screen, press key **←** repeatedly.

11.2 AUGER LOADING FUNCTION

This function is necessary to facilitate the switch-on phase of the appliance after accurate cleaning of the hopper (pellet container) has been carried out - to remove sawdust accumulated on the base over time. For further reference, please see chapter "Routine maintenance of the product".

Also, check you have placed pellets in the tank and that the appliance is in "OFF" or "FINAL CLEANING" status before starting this function.

The number, expressed in seconds, indicates the auger rotation time during loading phase.

After this, the auger stops automatically and the appliance can switch on.

OPERATING PROCEDURE:

MENU >> USER >> AUGER LOADING

Access menu by pressing **OK**

Scroll entries to SETTINGS by pressing **↓**

Access menu by pressing **OK**

Scroll entries to AUGER LOADING, by pressing **OK**

Access the function by pressing **OK**

To begin with, the cleaner activates (for models equipped with automatic cleaning) and, after that, pellet loading auger will be enabled. A countdown screen will inform you about the time needed to the auger to load pellets.



Once loading has been carried out, the appliance will go back to the SETTINGS screen.

i After the initial loading phase, a POPUP informing to suck pellets from the brazier will appear. This operation does not allow to empty the ash drawer when, during the switch-on process, the plate gets overturned.

! Always vacuum the brazier using an ash cleaner. FIRE HAZARD.

11.3 PELLET/AIR-INTAKE RATIO

The PELLET/AIR-INTAKE RATIO setting allows you to adjust, with immediate effect, the quantity of pellets loaded in the brazier and the amount of air intake (product tested and inspected with DIN PLUS certified pellets). In case other pellets or uncertified pellets are in use, combustion may need to be adjusted. Normally, the change is carried out on the percentage of AIR-INTAKE to improve combustion; if adjusting oxygen does not result in efficient combustion, you may also need to change the percentage of PELLETS falling into the brazier.

OPERATING PROCEDURE:

MENU >> USER >> P/A RATIO

Access menu by pressing **OK**

Scroll entries to SETTINGS, then press **↓**

Access menu by pressing **OK**

Scroll entries to P/A RATIO by pressing **OK**

Access the function by pressing **OK**



Edit pellet quantity by pressing **↑**/**↓**

Values range from -5: % of reduction in pellet loading to +5: % of increase in pellet loading

Confirm by pressing **OK** and then move on to edit air intake.



Edit air intake setting by pressing **↑**/**↓**

Values range from -5: % of reduction in air intake to +5: % of increase in air intake

Confirm by pressing **OK** and exit adjustments to go back to the SETTINGS screen.

In the example above, a percentage of -2 for PELLET and +3 for AIR INTAKE was set; such kind of setting is needed when combustion is lacking oxygen and pellets are small in size if compared to the average 2cm pellets.

While editing, remember the following:

- to return to the previous data without saving the last change, press **←**
- In case you want to change one single datum, press **OK** repeatedly, once you have changed it, to exit the function described in this paragraph. To go back to the STAND-BY screen, press key **←** repeatedly.

i The number indicated for editing settings refers to a change in percentage affecting default parameters as set in the electronic board. This only has an effect during operation. These values must be changed in the event of bad combustion, which in many cases is due to a use of pellets other than the ones used for testing the appliance.

11.4 STOVE STATUS

This function allows you to verify that the most important parameters are working properly on the appliance. Below you can find the two screens outlining the list of actual data of the product, useful to the support service during control interventions.

OPERATING PROCEDURE:

MENU >> USER >> STOVE STATUS

Access menu by pressing **OK**

Scroll entries to SETTINGS by pressing **↓**

Access menu by pressing **OK**

Scroll entries to STOVE STATUS by pressing **OK**

Access the function by pressing **OK**



Select the type of screen you want to display, using the keys **↑**/**↓**

Access the relevant screen with the key **OK**

STATI REALI 01/02	
PRS	0018 Pa
SET PRS	0025 Pa
ASP. FUMI	1850 RPM
STATO	SPENTO

TEMP. STATO	
T. FIAMMA	0018 °C
T. FUMI	0025 °C
T. PALMAR	0018 °C
T. SK	0018 °C

STATI REALI 02/02	
COCLEA	0850 RPM
SET COC.	0850 RPM
AMP. COC.	0150 mA
TIMER DEC.	0150 SEC

To go back to the SETTINGS screen press

To go back to the STAND-BY screen, press key repeatedly.

11.5 ENABLING EXTERNAL THERMOSTAT

This paragraph explains how to enable the function allowing to manage room temperature by means of the external thermostat instead of using the remote control. Being a continuation of the paragraph called "CONFIGURATION OF EXT. THERMOSTAT", this section explains the procedure for the reading of the device by means of the electronic board.

OPERATING PROCEDURE:

MENU >> USER >> SETTINGS >> ENABLE EXT. T.

Access menu by pressing

Scroll entries to SETTINGS by pressing

Access menu by pressing

Scroll entries to SETTINGS by pressing

Access menu by pressing

First menu entry, ENABLE EXT. T

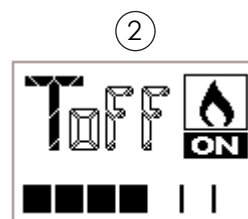
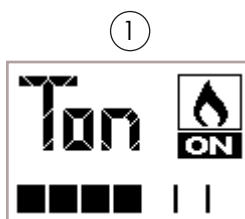
Tick, by using , if you want to manage room temperature by means of the external thermostat (not supplied) .



To go back to the STAND-BY screen, press key repeatedly.

Instead of the room temperature detected and settable, the STAND-BY will display the following:

- the writing T ON if the room in which the thermostat is installed has not reached the temperature required yet;
- the writing T OFF if room temperature has been reached.



11.6 LANGUAGE

Depending on the country of destination or the end user, this function includes a series of languages among which to choose. The procedure to choose the desired language is described below.

OPERATING PROCEDURE:

MENU >> USER >> SETTINGS >> LANGUAGE

Access menu by pressing

Scroll entries to SETTINGS by pressing

Access menu by pressing

Scroll entries to SETTINGS by pressing

Access menu by pressing

Scroll entries to LANGUAGE by pressing

Access the function by pressing



Choose language by pressing the keys

Confirm the language by pressing and display the tick sign.

To go back to the STAND-BY screen, press key repeatedly.

11.7 CONTRAST

Below you can find the procedure to improve the screen display settings if the graphic does not show information clearly.

OPERATING PROCEDURE:

MENU >> USER >> SETTINGS >> CONTRAST

Access menu by pressing

Scroll entries to SETTINGS by pressing

Access menu by pressing

Scroll entries to SETTINGS by pressing

Access menu by pressing

Scroll entries to CONTRAST, by pressing

On the function entry, press the key

The screen to adjust the remote control contrast will appear, as shown in the figure below.



Edit highlighted data by using the keys  

Confirm your change by pressing the key 

To go back to the STAND-BY screen, press key  repeatedly.

Scroll entries to SETTINGS by pressing key 

Access menu by pressing key 

Scroll entries to ANTICONDENSATION, key 

Activate/Deactivate function by pressing 

11.8 FIRMWARE VERSION


To view the version of the firmware installed for the appliance model supplied, follow the procedure in this paragraph. This function is useful for the support centre to control availability of new updates to be installed, if necessary.

OPERATING PROCEDURE:

`MENU >> USER >> SETTINGS >> FW VERSION`

Access menu by pressing 

Scroll entries to SETTINGS by pressing 

Access menu by pressing 

Scroll entries to SETTINGS by pressing 

Access menu by pressing 

Scroll entries to FIRMWARE VERSION by pressing 

Access the function by pressing key 

```
VERSIONE FW
Elemento_aria001
R1U9kW
T033.NBS.AIR.MB01
R026.NBS.AIR.U101
```

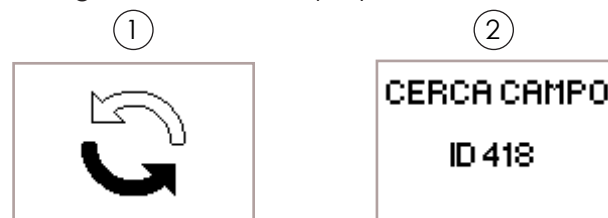
To go back to the STAND-BY screen, press key  repeatedly.



To go back to the STAND-BY screen, press key  repeatedly.

GENERAL INFORMATION NOTE:

When you browse from one screen to another, the following screen will be displayed for a few seconds:




This screen indicates the remote control is trying to connect with the appliance. This step is necessary to recover information to display to the end user. ^①

In case of connection failure, the writing FIELD followed by a number will appear. In this case, simply move closer to the appliance to re-establish communication. ^②


11.9 ANTICONDENSATION (exhaust fumes temperature)

This function ensures that the exhaust fumes temperature remains higher than condensate temperature.

 This function will result in a slight increase of pellet consumption to remedy this condition. Causes of condensation can be related to installation and, above all, to the yield of the pellets and its size.

OPERATING PROCEDURE::

`MENU >> USER >> SETTINGS >> ANTICONDENS.`

Access menu by pressing 

Scroll entries to SETTINGS by pressing 

Access menu by pressing 

12 CHANNEL (where planned)

The products of the range equipped with channelling are in two types, single duct channelling or double duct channelling. It can be manually set or auto-management enabled based on the temperature gradient you want to obtain in the room where channelling is installed.

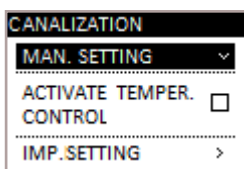
12.1 SET SINGLE CHANNELLING

In this paragraph, the system is detailed set in manual the ventilation speed assigned to channelling. Furthermore, the possibility is set to enable the automatic management function of channelling, linked to setting of the ambient temperature you want to obtain in the room.

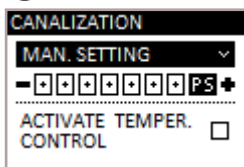
OPERATING PROCEDURE:

MENU >> SET USER >> CHANNELLING

- Access the menu by pressing key (OK)
- Scroll the items to SET USER with the key (↓)
- Access the menu by pressing key (OK)
- First item in the "CHANNELLING" menu, key (OK)
- The screen appears with setting of channelling, as in the figure.



Confirm with key (OK)

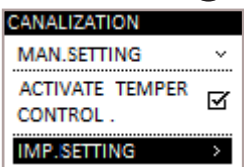


- SET MANUAL: allows you to edit the power of channelling, keys: (↑)(↓)
 - 1-7 - setting range;
 - PS - ventilation follows power to the fireplace set on the appliance.

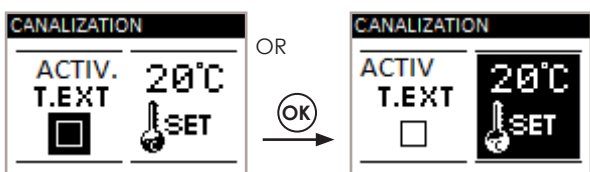
i If the PS function is not set, the fan is always restricted by the power of the product.

- ENABLE TEMPERATURE CONTROL: enables modulation of the ventilation once the setting has been reached;

Enable/disable with the key (OK)



- SET SETTING: allows you to edit the ambient temperature setting you want to reach in the channelled ambient.



Pressing the keys (↑)(↓) to enable/disable the flag if you want to manage the temperature of the zone to channel with the help of the external thermostat. Key (OK) to confirm.

Press the keys (↑)(↓) to set the temperature of the zone to channel with the help of an optional ambient probe, provided on request of Nobis s.r.l. (not supplies as standard)

i If the flag is enabled for "channelling" temperature management with the external thermostat, it is not possible to change the temperature setting from the handheld device, but rather from the external thermostat.

12.2 SET CHANNELLING TIMER

In the THERMOSTAT TIMER menu, for models with channelling, you can set the channelling power (ventilation speed) and the temperature you want to obtain in the room where the ventilation outlet is installed. Having set all the values relating to programmed switch on of the appliance, the following screen appears.



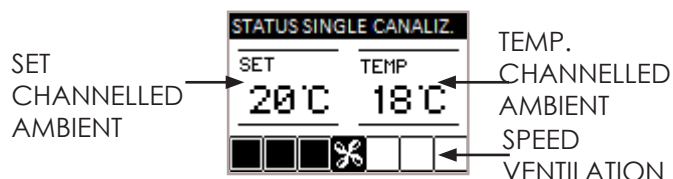
- Edit the data highlighted using the keys (↑)(↓)
- Confirm the data changed using the key (OK)
- Repeat the same operation to set the next parameter;

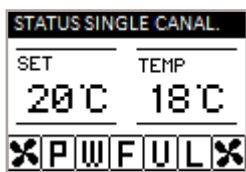
i Setting the ambient temperature for channelling, this is only managed if the TEMPERATURE CONTROL function is enabled, previously seen, ENABLE T.TEXT in SET SETTING disabled in the CHANNELLING menu.

To return to the STAND-BY screen, use the key (OK), confirming all the settings.

12.3 DISPLAY CHANNELLING STATUS

To display the channelling status, from the STAND-BY status, press the key (←). The display screen follows:





i In the presence of the POWERFUL function, DISPLAY STATUS, you can also see that channelling is in this mode, as in the figure.

i If the PS function is not set, the fan power works independently from the product power.

- TEMPERATURE CONTROL ENABLED: it enables modulation of ventilation once the set values have been reached;

Enable/disable by pressing key **OK**



- EDIT SETTINGS: allows you to edit the room temperature setting you want to reach in the canalized environment.

12.4 DOUBLE-CANALIZATION SETTINGS

This paragraph explains how to enable/disable and set in manual operation for ventilation speed assigned to canalization. Moreover, it is explained how to enable double canalization automatic management, which is linked to room temperature settings.

OPERATING PROCEDURE:

MENU >> USER >> CANALIZATION

- Access menu by pressing key **OK**
- Scroll entries to SETTINGS by pressing **↓**
- Access menu by pressing key **OK**
- First entry in the "CANALIZATION" menu, key **OK**
- The canalization setting screen will appear, as shown in the figure below.



Press **↑****↓** to tick/untick it if you want to manage the temperature of the zone to be canalized by an external thermostat. (not supplied). Press **OK** to confirm.

Press **↑****↓** to set the temperature of the zone to be canalized by means of an optional room probe, provided by Nobis s.r.l. upon request (not supplied as standard)



After confirming settings for RIGHT canalization, press **OK** and then repeat the same procedure for LEFT canalization.

Confirm by pressing key **OK**



i If "canalization" temperature management by external thermostat is enabled, it is not possible to change the temperature settings using the remote control, but rather using the external thermostat.

- SET MANUAL: allows you to edit canalization power, keys: **↑****↓**

- 0 - ventilation disabled;
- 1-7 - setting range;
- PS - ventilation follows power to the fireplace set on the appliance.

Press key **OK** to confirm changes for the RIGHT fan and move on to the LEFT one.

12.5 SETTING CANALIZATION TIMER

In the THERMOSTAT TIMER menu, for models equipped with canalization, you can set the canalization power (ventilation speed) and the temperature you want to obtain in the room where the ventilation outlets are installed. Once all the values related to the programmed switch-on of the appliance are set, the following screen will appear.



Edit the data highlighted using the keys

Confirm the change by using

Repeat the same operation to set the next parameter;

i When room temperature for canalization has been set, this will only be managed if the TEMPERATURE CONTROL function is enabled, as previously seen, and ENABLE EXT T. (in SETTINGS section of the CANALIZATION menu) disabled.

After confirming settings for RIGHT canalization, press and then repeat the same procedure for LEFT canalization.



Edit highlighted data using the keys

Confirm the change using

Repeat the same operation to set the next parameter;

To confirm all settings and return to the STAND-BY screen, press .

12.6 DISPLAYING CANALIZATION STATUS

To display the canalization status, from the STAND-BY screen, press .

The display screen will appear as follows:

Labels for the top screenshot:

- SET RIGHT CANALIZED ENVIRONMENT
- TEMP. RIGHT CANALIZED ENVIRONMENT
- RIGHT VENTILATION SPEED
- SET LEFT CANALIZED ENVIRONMENT
- LEFT VENTILATION SPEED
- LEFT CANALIZED ENV. TEMP.






i When POWERFUL function is enabled, canalization will also be visible in this function, as in the figure above.

13 PHASES OVERVIEW




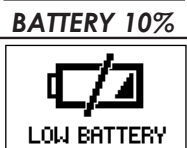

PHASE	DESCRIPTION
 SWITCH ON WAITING FLAME FLAME PHASE	- The resistor start pre-heating and pellets begin to fall in the brazier. - Pellet ignites thanks to the heat generated by the inlet air flowing through the duct of the incandescent resistor. - Pellet loading restarts and the flame develops.
 WORK	The appliance has carried out the switch-on phase and starts operating at due power as per settings.
 SAVING	Desired room temperature has been reached.
 BRAZIER CLEANING	The cleaning phase of the brazier is enabled without movement of the cleaner (periodic function).
 CLEANER ENABLED	The brazier-cleaning phase is running with the cleaner enabled. The appliance will switch off and back on automatically.
 RESTART	Restart is required after cooling. Once done, the appliance will start working automatically.
 FINAL CLEANING	The appliance is switching off and cooling has not finished yet.
 OFF	The appliance is OFF and all motors are disabled.

14 FUNCTIONS OVERVIEW





PHASE	DESCRIPTION
 MAN WORK	Room setting on MAN. The appliance will only work with the power set for the fireplace (it never switches to saving mode).




PHASE	DESCRIPTION
 <p>THERMOSTAT</p>	Room temperature management has been chosen using an external thermostat (not supplied by the manufacturer).
 <p>AIR CON. COMFORT</p>	With AIR CON. COMFORT enabled, the product switches off automatically when set room temperature has been reached (see specific paragraph).
 <p>AUTO</p>	The appliance manages the fire-place power and ventilation automatically (if applicable) to guarantee better comfort (see specific paragraph).
 <p>POWERFUL</p>	The appliance works with ventilation at maximum speed to speed up room heating. (see specific paragraph).
 <p>OPTIMAL FLAME</p>	The appliance optimizes combustion while reducing pellet load, though yield is guaranteed.

15 ALERTS OVERVIEW

PHASE	DESCRIPTION
 <p>ALARM</p>	The appliance is in alarm status: see the "ALARMS" chapter to identify it.
 <p>ANOMALY</p>	The appliance signals an anomaly, without switching off. See "ANOMALY OVERVIEW".
 <p>BATTERY 10%</p>	The remote control batteries are almost flat.
 <p>LOW BATTERY</p>	The remote control batteries are flat. Replace them.
 <p>SERVICE HOURS</p>	Working hours threshold has been reached. It is recommended to request extraordinary maintenance by authorized staff.

16 ANOMALIES OVERVIEW

PHASE	DESCRIPTION
 <p>S.PRESSURE FAULT</p>	The appliance signals a malfunctioning of the sensor controlling proper combustion. While waiting for a technician, for safety purpose, the appliance switches to saving mode.
 <p>HOT SMOKE</p>	Smoke temperature overheating; the appliance switches temporarily to saving mode with ventilation at maximum power to cool the body down.
 <p>PELLET OVERLOAD</p>	If pellet load is too much for the machine power, reduce it by editing the load % in P/A RATIO (see specific paragraph).
 <p>S.FLAME FAULT</p>	The appliance signals a malfunctioning of the flame probe. While waiting for a technician, for safety purpose, the appliance switches to saving mode.

PHASE	DESCRIPTION
	This anomaly appears when the user opens the door, the ash pan or the pellet door; at this point, pellet loading inside the brazier stops and the machine emits an acoustic signal. To restore normal operation, the user must close the doors. If this operation is not carried out, the product will signal an alarm.
	Anomaly of the probe controlling the fume-exhaust temperature, contact an authorized technician to solve the fault.
	

i Anomalies, differing from alarms, are signals which automatically reset once the cause that generated them has been eliminated. Moreover, the signalling does not cause the appliance to switch off, thus guaranteeing heating.

! Some anomalies need for technical intervention by authorized staff to be solved. Despite the appliance keeps on working, the user must get the problem solved. **Negligence will cause malfunctioning.**

17 DESCRIPTION OF ALARMS



Each alarm condition causes the appliance to immediately switch off. Press the switch on key P3 to reset the alarm. Before switching back on the appliance, check signalling is resolved.

ALARM CODE	REASON
01 BLACK OUT	No power during the work phase
	SOLUTION
	Press the switch off key and repeat switch on of the appliance If the problem persists, contact the Support Service.

ALARM CODE	REASON
02 NO SWITCH ON	The pellet tank is empty.
	Calibration of the pellets and suction during the start-up phase inadequate.
	Ignition resistor faulty or out of position
	SOLUTION
	Check there are pellets in the tank. If necessary, load. If the problem persists, contact the Support Service

ALARM CODE	REASON
03 PELLETS FINISHED	The pellet tank is empty.
	The gearmotor is not loading pellets
	Lack of pellets loading
	SOLUTION
	Check there are pellets in the tank. If necessary, load
	Empty the tank to check that there are no objects inside it.
	Adjust, by increasing the load of pellets, from "P/E MIX" If the problem persists, contact the Support Service

ALARM CODE	REASON
04 SMOKE TEMPERATURE	Combustion in the brazier is not optimal as it is clogged or the inner passages of the appliance are clogged.
	The tangential fan (if present) is not working properly or is damaged.
	SOLUTION
	Switch the product off and back on again, activating the cleaner; adjust the combustion with the "P/E mix". If the problem persists, contact the Support Service

ALARM CODE	REASON
05 EXTRACTOR ROTATIONS NOT RESPECTED	The rotations of the smoke extractor show a loss of efficiency due to obstruction of the fan or a drop in voltage.
	SOLUTION
	If the problem persists, contact the Support Service

ALARM CODE	REASON
06 FAULTY SMOKE EXTRACTOR	No power supply to the smoke extractor
	The smoke extractor is blocked
	SOLUTION
	If the problem persists, contact the Support Service

ALARM CODE	REASON
07 GEARMOTOR ROTATIONS NOT RESPECTED PELLET LOADING	The rotations of the gearmotor present a loss of efficiency due to a drop in voltage.
	SOLUTION
	If the problem persists, contact the Support Service

ALARM CODE	REASON
08 PELLET LOADING GEARMOTOR FAULT	Gearmotor encoder not working or not connected correctly
	No power to gearmotor
	SOLUTION
	If the problem persists, contact the Support Service

ALARM CODE	REASON
09 PELLET LOADING AUGER BLOCKED	Possible foreign body or sawdust preventing correct movement.
	SOLUTION
	Empty the tank and check for foreign bodies. If the problem persists, contact the Support Service

ALARM CODE	REASON
10 PELLET LOADING AUGER POWER SUPPLY DEFECT	No power supply or power supplied by electronic control unit not correct
	SOLUTION
	If the problem persists, contact the Support Service

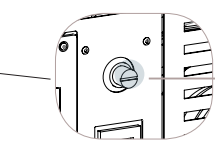
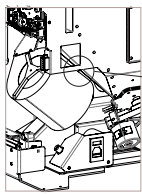
ALARM CODE	REASON
11 MINIMUM PRESSURE PASCAL	The sensor does not detect negative air pressure inbound of the appliance.
	SOLUTION
	Check the door and ash pan are closed correctly, check if the air intake tube is obstructed. If the problem persists, ccontact the Support Service.

ALARM CODE	REASON
12 BRAZIER CLEANER FAULT	The cleaner has not completed its movement and is not in the correct position or else the fire door has not been closed properly.
	SOLUTION
	Check if the door is closed correctly, re-set the alarm and wait for the product to SWITCH OFF. Unplug the product and then plug it back in, the system will reactivate the cleaner, checking the correct position again.
	If the problem persists, contact the Support Service.

ALARM CODE	REASON
13 NEGATIVE PRESSURE IN CHIMNEY FLUE	The chimney flue is blocked.
	The sensor reading negative pressure is not working properly.
	SOLUTION
	Check that the chimney flue is not blocked, contact a chimney sweep to clean it.
	If the problem persists, contact the Support Service.

ALARM CODE	REASON
14 THERMOSTAT MANUAL RESET	You have to reset manually the thermostat connected to the hopper.
	Combustion is not optimized as either the brazier or the inner passages of the appliance are clogged.
	Ventilation, where present and active, may not be working properly.
	SOLUTION
	Reset the thermostat by pressing the button on the back of the appliance.
	Switch off and then back on the product to activate the cleaner and adjust combustion using P/A RATIO.
	If the problem persists, contact the Support Service.

POSITION OF THERMAL-SWITCH FOR MANUAL RESET

THERMAL
SWITCH
MANUAL RESET

Unscrew the safety cap and press the thermal-switch reset button

ALARM CODE	REASON
15 FIRE DOOR/ ASH PAN OPEN	During the cleaning phase, the door to the fire or the ash pan has not been closed properly.
	SOLUTION
	Check correct closure of the fire door and/or correct position of the ash pan in its compartment.
	If the problem persists, contact the Support Service.

ALARM CODE	REASON
16 PELLET TANK DOOR OPEN	The tank door has not been closed properly during pellet loading phase.
	SOLUTION
	Check that the pellet tank door has been closed properly.
	If the problem persists, contact the Support Service.

ALARM CODE	REASON
18 FLAME PROBE	Simultaneous flame probe and smoke probe fault.
	SOLUTION
	Contact Technical Support.

ALARM CODE	REASON
22 FLAME TEMPERATURE	Combustion is not optimized as either the brazier or the inner passages of the appliance are clogged.
	The tangential fan (if present) is not working properly or is damaged.
	SOLUTION
	Switch the product off and back on again, activating the cleaner; adjust combustion using "P/A RATIO".
	If the problem persists, contact the Support Service.

ALARM CODE	REASON
23 AUGER TRIAC	Anomaly of an internal component of the electronic board managing the pellet loading auger.
	Possible power outage or wrong voltage to the device.
	SOLUTION
	Check power supply voltage.
	If the problem persists, contact the Support Service.

ALARM CODE	REASON
24 AUGER PHASE	No cable connection to bring power to the auger gearmotor.
	SOLUTION
	If the problem persists, contact the Support Service.

CODICE ALLARME	MOTIVAZIONE
28 SMOKE ENCODER REVOLUTION FAILURE	Smoke extractor encoder not working or not connected correctly.
	RISOLUZIONE
	If the problem persists, contact the Support Service.

CODICE ALLARME	MOTIVAZIONE
29 CLEANING CYCLE LIMIT	Maximum limit of cleaning cycles allowed during a prolonged working phase has been reached.
	RISOLUZIONE
	Vacuum the brazier in full safety and switch the product on again.
	If the problem persists, contact the Support Service.

18 CLEANING THE APPLIANCE

! Product installation must take place in such a way as to ensure easy access to the appliance itself and to the flue for cleaning and maintenance operations.

! Please carefully adhere to the following instructions for correct cleaning of the appliance. Non-compliance could cause its malfunctioning.

Before carrying out any cleaning operation on the appliance, take the following precautions:

- switch off the product and in "OFF" status disconnect the power supply cable;
- ensure all the parts are cold to touch;
- ensure the combustion ash is completely out.

To clean the surfaces, on the painted metal parts, use a cloth soaked in water and soap. Use of abrasive detergents or diluents causes damage to the surface of the product.

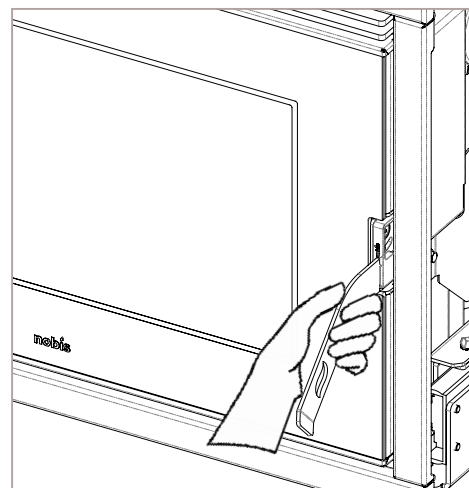
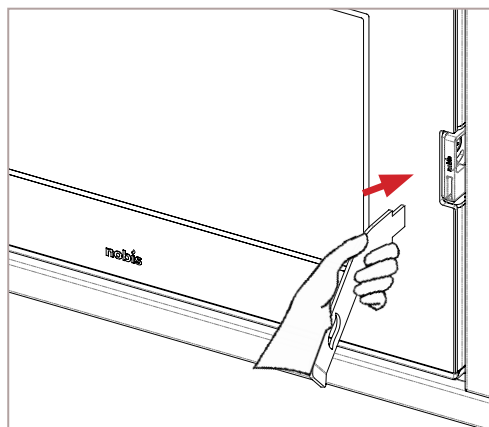
18.1 CLEANING THE FIREPLACE

Open the fire door, using the specific tool and:

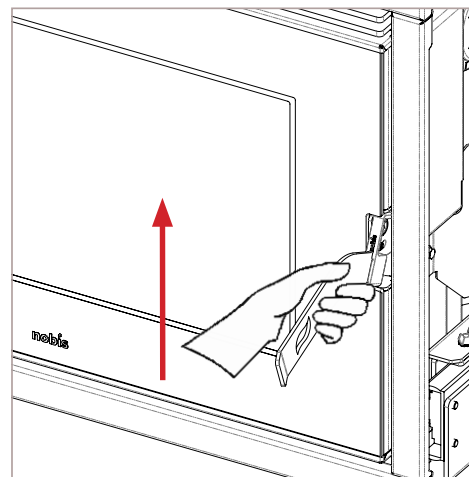
- vacuum the slide bringing the ash to the brazier;
- dismantle the flame trap, vacuum the compartment hidden by the flame trap (paying utmost attention not to damage the sensor placed behind the flame trap).
- the vermiculite does not require cleaning, in any case if you intend eliminating the soot dust, only use a soft bristle brush.

OPERATING PROCEDURE:

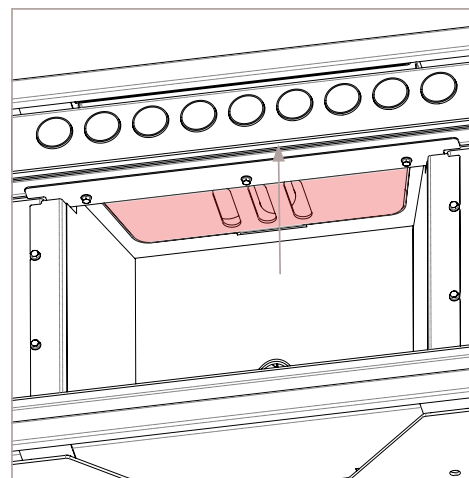
Open the fire door using the "cold lever" supplied with the product and Insert the "cold lever" in the specific compartment, as indicated in the figure below:



Lift the lever to release the fire door and open it, as shown in the figure below:

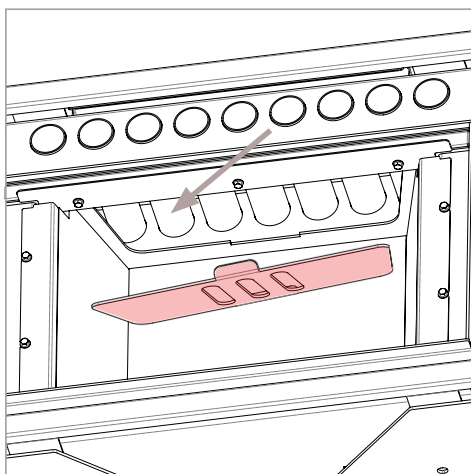


To remove the flame trap, lift it slightly as in the figure below:



Remove it by bringing the lever towards you with a slight movement downwards, as in the figure below:

Slide the top against the front so that the bottom can rotate upward.



! In internal rotation pay attention to the probe

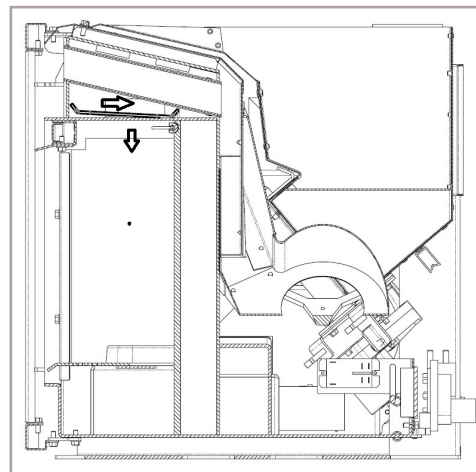


fig.3

ASSEMBLY OF FLAME CUTTER

Tilt the component as shown in the figure and lift it inside the front gap.

Check that it is positioned in the center.

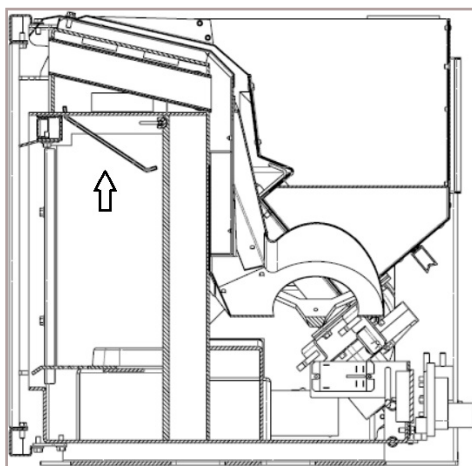


fig.1

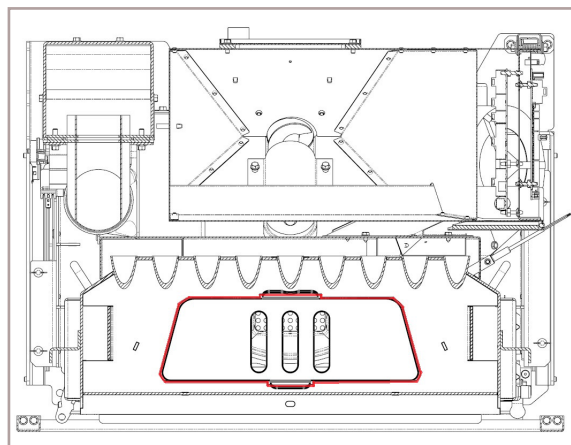


fig.4

Once routed inside, accompany it back to the center of the slit and rest it. The probe must remain visible.

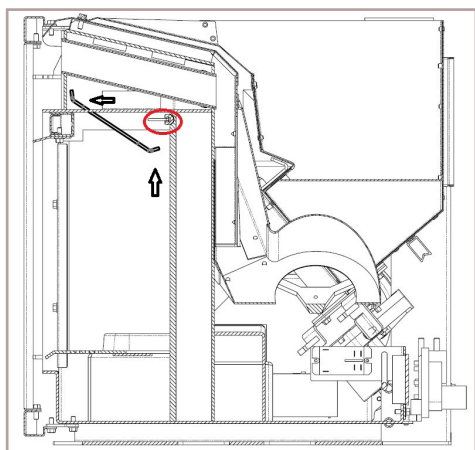


fig.2

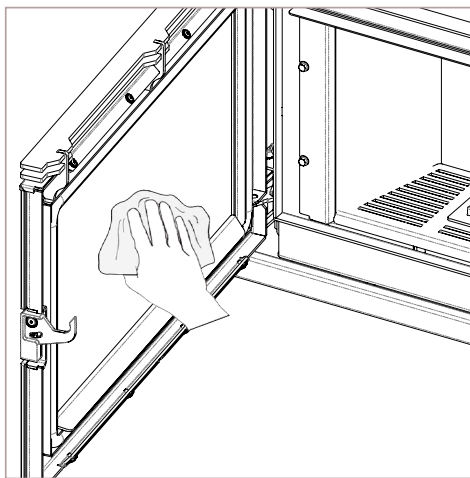
18.2 CLEANING THE GLASS DOOR

To clean the glass, use a cotton cloth or kitchen paper. It is recommended to clean the glass using a cloth damp with water and combustion ash (to act as abrasive), avoiding the use of products with additives that could, over time, wear out seals, glass and paint.

i Do not switch on the appliance if the glass is damaged. Contact the support service to replace it.

OPERATING PROCEDURE:

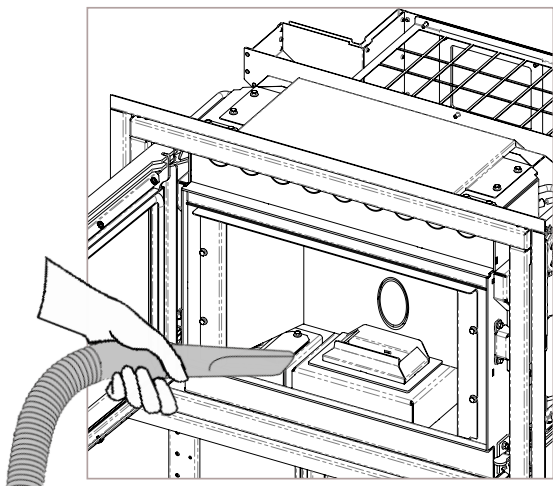
Clean the glass with a cotton cloth as in the figure below:



18.3 CLEANING THE ASH PAN

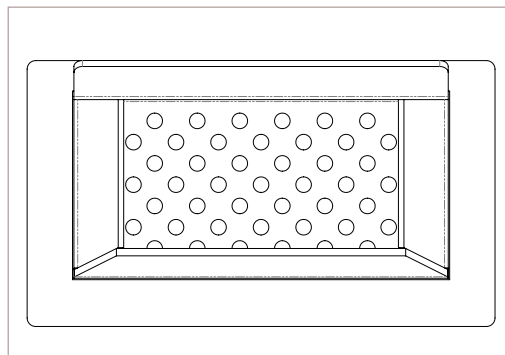
Remove the pan from the appliance and remove the ash deposited, using an ash vacuum cleaner; pay utmost attention to the presence of embers that could still be hot and which could damage the appliance used for cleaning.

i Cleaning operations depend on the quality of the pellets used and the frequency of use of the product. Therefore, the user may need to carry out such operations more frequently than stated in the manual.



18.4 CLEANING THE BRAZIER

It is necessary to check that the brazier to make sure it is clean and that neither slag nor residues obstruct the holes where the combustion takes place. This is a precaution to guarantee excellent combustion of the appliance over time, thus avoiding any overheating that could cause aesthetic deterioration of the components connected to it, as well as ignition failures.



i Get rid of the residue which accumulates on the bottom and on the sides of the brazier in order to always have the holes free before switching on the product. Use an ash vacuum cleaner. Scales difficult to remove may be caused by the type of pellets used or by a non-optimal adjustment of the appliance.

TABLE OF CLEANING CYCLES

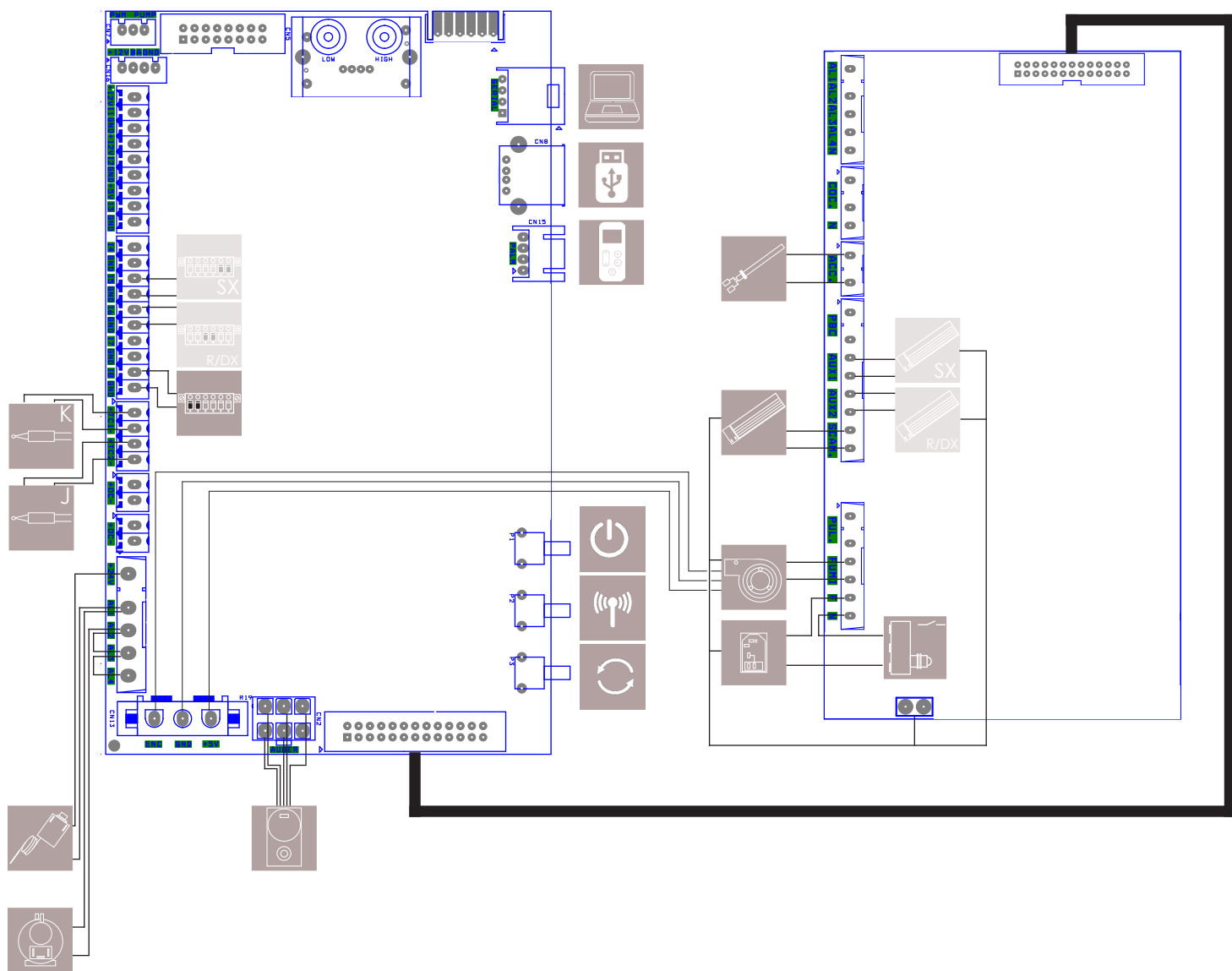
Essential control and/or maintenance intervention for proper operation are summarised below.

PARTS	FREQUENCY
Brazier	1 DD
Glass	2-3 DD
Extraction pipe *	1 SE
Door seal/ash pan*	1 SE
Tube bundle scraper (where present)	7 DD
Chimney flue	1 SE
Combustion chamber	2-3 DD
Vacuum pellet tank	30 DD
Electromechanical components*	1 SE

















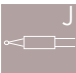







LEGEND:

- * - operations which can be carried out by an authorized technician;
- DD - day/s
- SE - season

19 WIRING DIAGRAM



LEGEND:

 PRESSURE SENSOR	 SMOKE EXTRACTOR	 SAFETY VACUUM SWITCH	 REMOTE UNIT SELECTION KEY
 STROKE COUNTER MECHANICAL CLEANER	 MANUAL RESET THERMAL SWITCH	 FRONT VENTILATION	 UPGRADE FW KEY (technical support only)
 EXT. THERMOSTAT TERMINAL BOARD CONNECTION	 RESISTOR SWITCH ON	 PC CONNECTION (technical support only)	 REAR OR RIGHT VENTILATION
 FLAME PROBE	 GEARMOTOR MECHANICAL CLEANER	 USB CONNECTION (technical support only)	 TERMINAL BOARD PROBE OR T.EXT REAR OR REAR RH
 SMOKE PROBE	 FIREPLACE SLIDING SAFETY CONTACT	 EMERGENCY CABLE Remote control	 VENTILATION REAR LEFT
 GEARMOTOR BLDC 24V	 220V SOCKET WITH ON/OFF SWITCH AND FUSE	 APPLIANCE SWITCH ON KEY	 TERMINAL BOARD CONNECTION PROBE OR EXT. T. LEFT



NOBIS srl

Via Palazzolo N.11
25037 - Pontoglio - BS - Italy
www.nobisfire.it

Nobis Srl cannot be held in any way liable for any errors in this manual and considers itself free to change the features of its products without prior warning.

Cod.110-002-0021N_S2